



DO-IT CORPORATION

Hang Tab Product Guide

VOLUME XII

When it comes to
your hang tab and
display needs,
Don't Risk It...
Do-It.com



Slot Hang Tabs

Delta- and euro-hole styles load onto both double wire (safety loop) and single prong peg fixtures.

“We Invented The Hang Tab.”

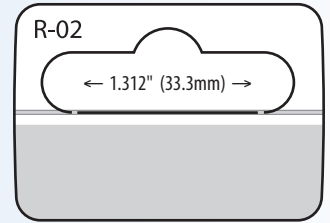
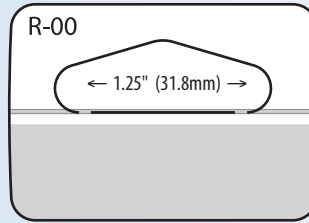




Roll Form | Slot Hang Tabs

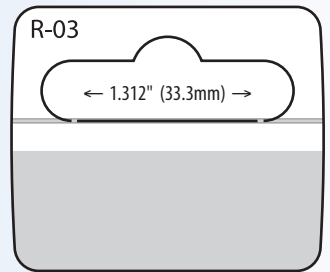
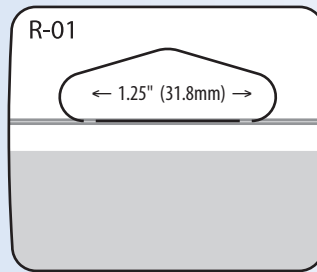
R-00 / R-02

	Imperial	Metric
Gauge:	10 mil	254 μ
Dimensions (W x H):	1.625 x 1.125in	41.3 x 28.6mm
Format:	4.5M / roll	
Package:	6 x 15.5in roll	15.2 x 39.4cm
Master Carton Quantity:	22.5M (5 rolls)	
Master Carton Weight:	32lb	14.5kg
Recommended Product Display Weight:	9oz	255g



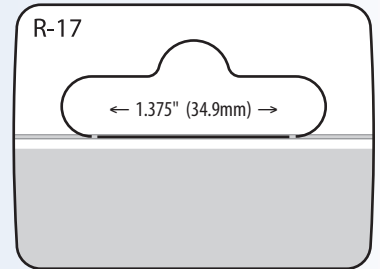
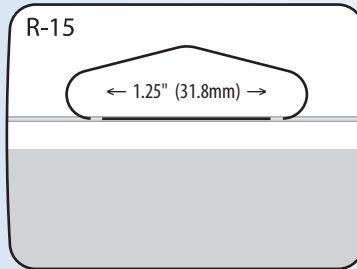
R-01 / R-03

	Imperial	Metric
Gauge:	15 mil	381 μ
Dimensions (W x H):	1.625 x 1.375in	41.3 x 34.9mm
Format:	3.5M / roll	
Package:	6 x 15.5in roll	15.2 x 39.4cm
Master Carton Quantity:	17.5M (5 rolls)	
Master Carton Weight:	41lb	18.6kg
Recommended Product Display Weight:	16oz	453g



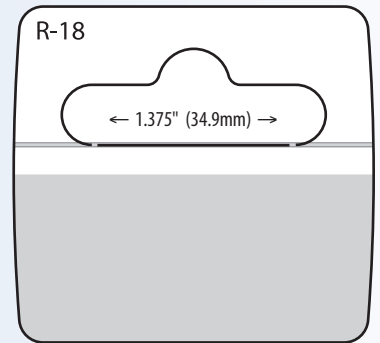
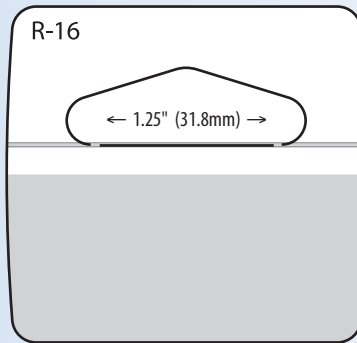
R-15 / R-17

	Imperial	Metric
Gauge:	15 mil	381 μ
Dimensions (W x H):	1.875 x 1.375in	47.6 x 34.9mm
Format:	3M / roll	
Package:	6 x 15.5in roll	15.2 x 39.4cm
Master Carton Quantity:	15M (5 rolls)	
Master Carton Weight:	40lb	18.2kg
Recommended Product Display Weight:	18oz	510g



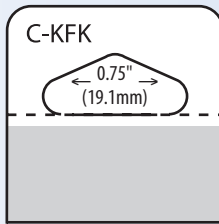
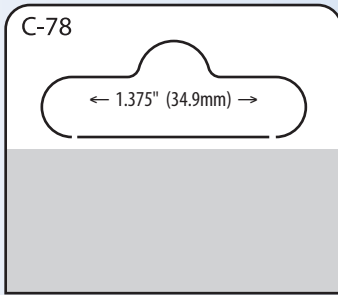
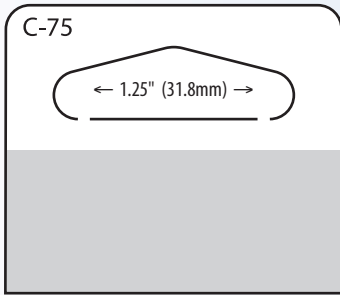
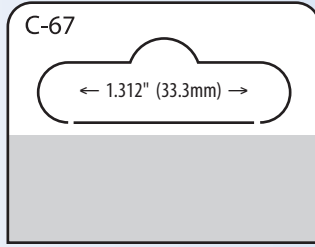
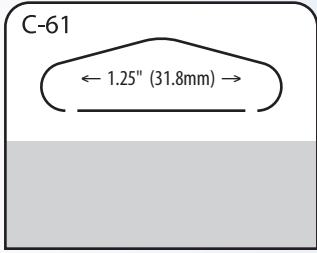
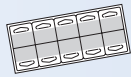
R-16 / R-18

	Imperial	Metric
Gauge:	15 mil	381 μ
Dimensions (W x H):	1.875 x 1.75in	47.6 x 44.5mm
Format:	3M / roll	
Package:	6 x 15.5in roll	15.2 x 39.4cm
Master Carton Quantity:	12M (4 rolls)	
Master Carton Weight:	40lb	18.2kg
Recommended Product Display Weight:	20oz	566g



M = 1,000

Slot Hang Tabs | Sheeted



C-61 / C-67

	Imperial	Metric
Gauge:	15 mil	381 μ
Dimensions (W x H):	1.625 x 1.25in	41.3 x 31.8mm
Format:	20 / sheet	
Package:	5M box	
Master Carton Quantity:	20M (4 boxes)	
Master Carton Weight:	42lb	19.1kg
Recommended Product Display Weight:	14oz	397g

C-75 / C-78

	Imperial	Metric
Gauge:	15 mil	381 μ
Dimensions (W x H):	1.75 x 1.5in	44.5 x 38.1mm
Format:	24 / sheet	
Package:	5M box	
Master Carton Quantity:	20M (4 boxes)	
Master Carton Weight:	50lb	22.7kg
Recommended Product Display Weight:	18oz	510g

C-KFK

	Imperial	Metric
Gauge:	10 mil	254 μ
Dimensions (W x H):	1.125 x 1.125in	28.6 x 28.6mm
Format:	13.5M / economy roll	
Package:	6 x 15.5in roll	15.2 x 39.4cm
Master Carton Quantity:	40.5M (3 rolls)	
Master Carton Weight:	38lb	17.3kg
Recommended Product Display Weight:	8oz	226g

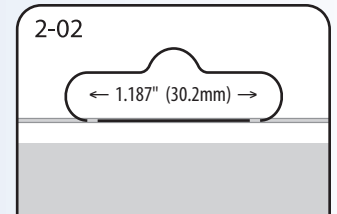
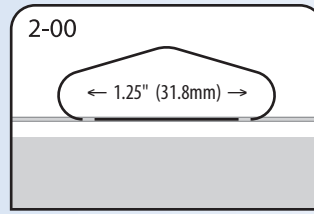
M = 1,000



Loose Piece | Slot Hang Tabs

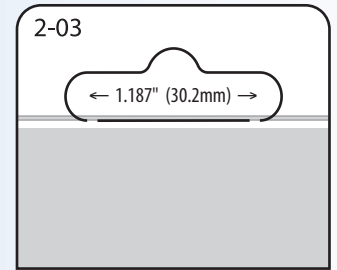
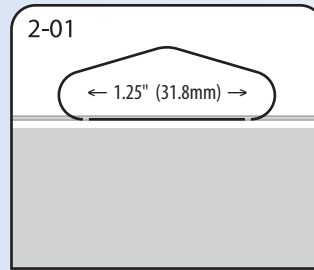
2-00 / 2-02

	Imperial	Metric
Gauge:	15 mil	381 μ
Dimensions (W x H):	1.625 x 1.062in	41.3 x 27mm
Format:	loose piece	
Package:	5M carton	
Master Carton Quantity:	5M (1 carton)	
Master Carton Weight:	9lb	4.1kg
Recommended Product Display Weight:	10oz	283g



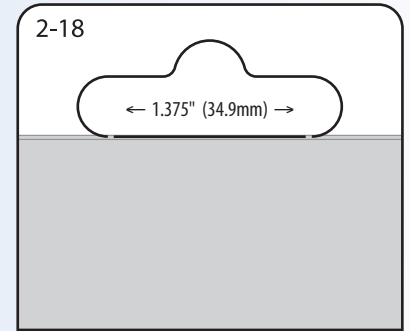
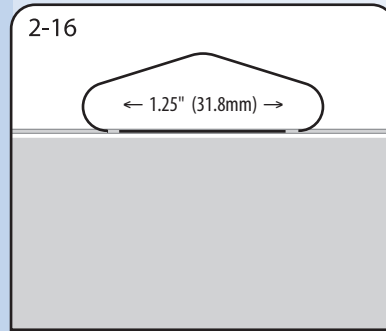
2-01 / 2-03

	Imperial	Metric
Gauge:	15 mil	381 μ
Dimensions (W x H):	1.625 x 1.375in	41.3 x 34.9mm
Format:	loose piece	
Package:	5M carton	
Master Carton Quantity:	5M (1 carton)	
Master Carton Weight:	12lb	5.5kg
Recommended Product Display Weight:	16oz	453g



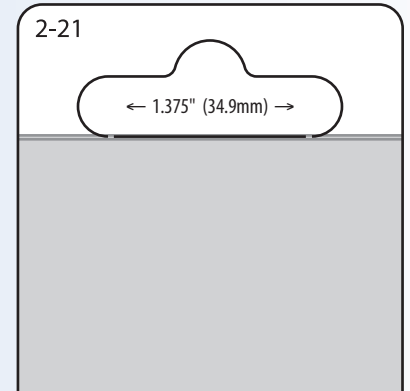
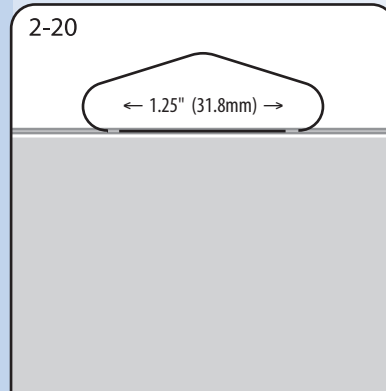
2-16 / 2-18

	Imperial	Metric
Gauge:	15 mil	381 μ
Dimensions (W x H):	2 x 1.75in	50.8 x 44.5mm
Format:	loose piece	
Package:	5M carton	
Master Carton Quantity:	5M (1 carton)	
Master Carton Weight:	17lb	7.7kg
Recommended Product Display Weight:	20oz	566g



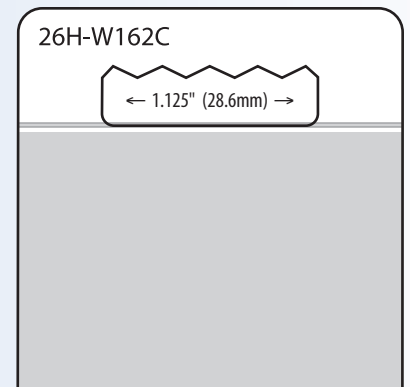
2-20 / 2-21

	Imperial	Metric
Gauge:	20 mil	508 μ
Dimensions (W x H):	2 x 2.0621in	50.8 x 52.4mm
Format:	loose piece	
Package:	5M carton	
Master Carton Quantity:	5M (1 carton)	
Master Carton Weight:	26lb	11.8kg
Recommended Product Display Weight:	28oz	793g



26H-W162C

	Imperial	Metric
Gauge:	20 mil	508 μ
Dimensions (W x H):	2 x 2in	50.8 x 50.8mm
Format:	loose piece	
Package:	5M carton	
Master Carton Quantity:	5M (1 carton)	
Master Carton Weight:	20lb	9.1kg
Recommended Product Display Weight:	24oz	679g

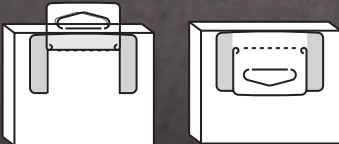
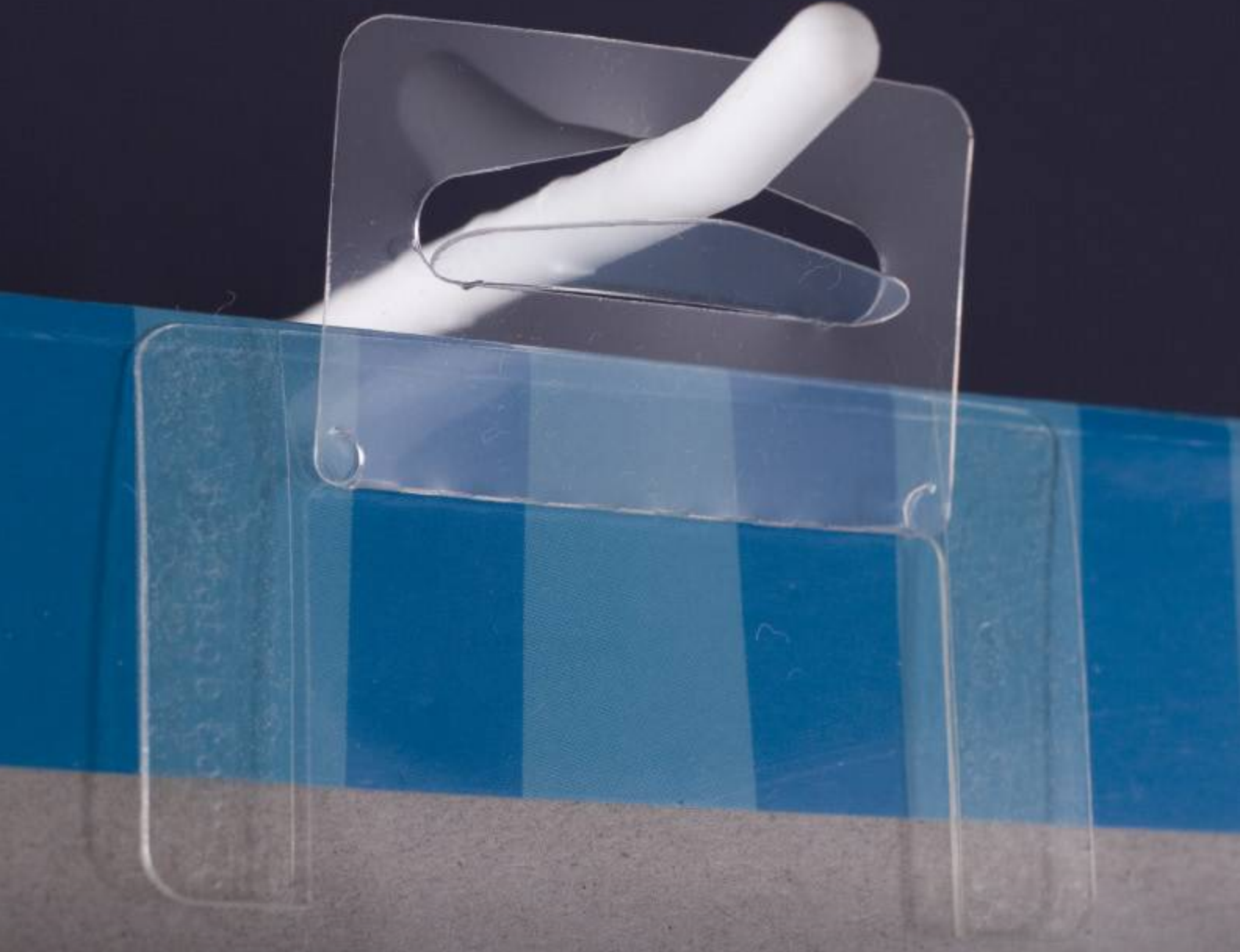


M = 1,000

Slot Hang Tabs – Fold-Up

Lie flat on the product for shipping,
fold up for hanging.

“1,000s of Ways to Hang Your Product.”



Fold-Up Hang Tab die cuts have different types of curls to facilitate folding, yet prevent tearing.





Roll Form | Slot Hang Tabs – Fold-Up

R-51 / R-57

	Imperial	Metric
Gauge:	10 mil	254 μ
Dimensions (W x H):	2.5 x 1.5in	64.3 x 38.1mm
Format:	4.5M / roll	
Package:	6 x 15.5in roll	15.2 x 39.4cm
Master Carton Quantity:	13.5M (3 rolls)	
Master Carton Weight:	36lb	16.4kg
Recommended Product Display Weight:	10oz	283g

R-5115

	Imperial	Metric
Gauge:	15 mil	381 μ
Dimensions (W x H):	2.937 x 1.5in	74.6 x 38.1mm
Format:	3.5M / roll	
Package:	6 x 15.5in roll	15.2 x 39.4cm
Master Carton Quantity:	7M (2 rolls)	
Master Carton Weight:	32lb	14.5kg
Recommended Product Display Weight:	18oz	509g

R-58

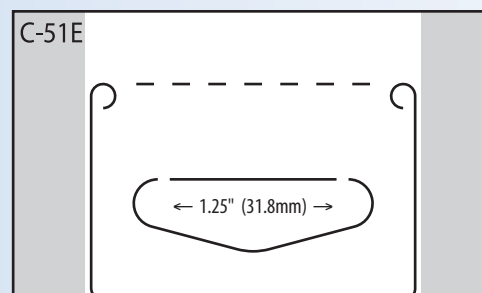
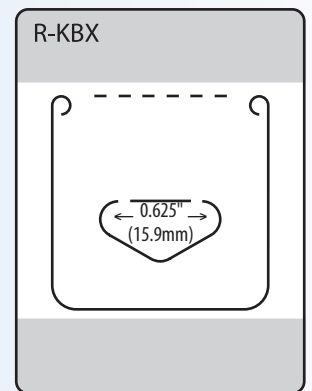
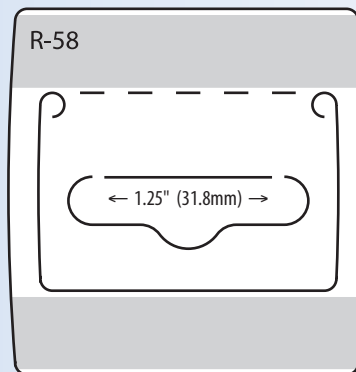
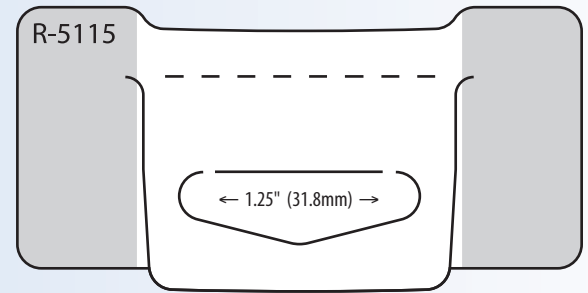
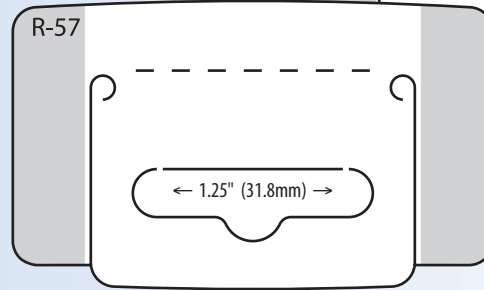
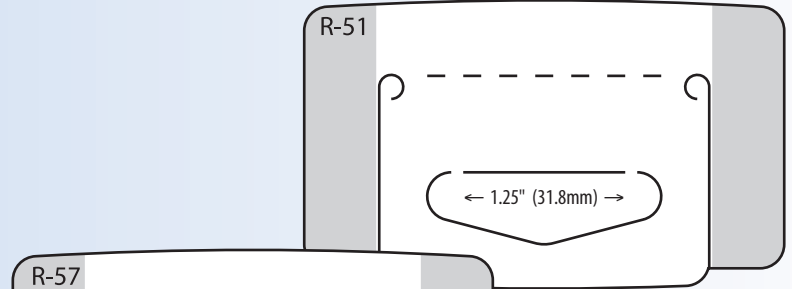
	Imperial	Metric
Gauge:	10 mil	254 μ
Dimensions (W x H):	1.875 x 1.906in	47.6 x 48.4mm
Format:	3.5M / roll	
Package:	6 x 15.5in roll	15.2 x 39.4cm
Master Carton Quantity:	14M (4 rolls)	
Master Carton Weight:	38lb	17.3kg
Recommended Product Display Weight:	9oz	255g

R-KBX

	Imperial	Metric
Gauge:	7.5 mil	190 μ
Dimensions (W x H):	1.5 x 2in	38.1 x 50.8mm
Format:	6M / roll	
Package:	6 x 15.5in roll	15.2 x 39.4cm
Master Carton Quantity:	18M (3 rolls)	
Master Carton Weight:	35lb	15.9kg
Recommended Product Display Weight:	9oz	255g

C-51E

	Imperial	Metric
Gauge:	10 mil	254 μ
Dimensions (W x H):	2.5 x 1.5in	63.5 x 38.1mm
Format:	15M / economy roll	
Package:	6 x 15.5in roll	15.2 x 39.4cm
Master Carton Quantity:	15M (1 roll)	
Master Carton Weight:	40lb	18.4kg
Recommended Product Display Weight:	10oz	283g

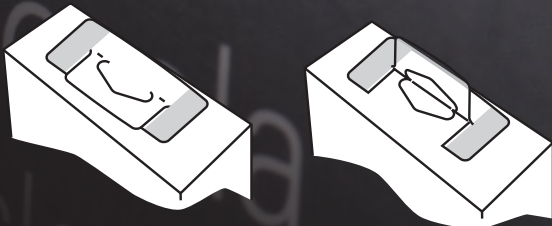


M = 1,000

Interior & Box Top Hang Tabs

Do-It Box Top Hang Tabs provide a durable hanging/display method when used inside or on top of boxed products.

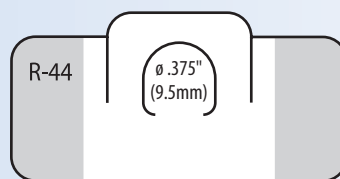
“Twice as strong as paperboard.”



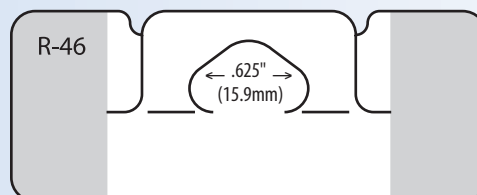


Roll Form | Interior & Box Top Hang Tabs

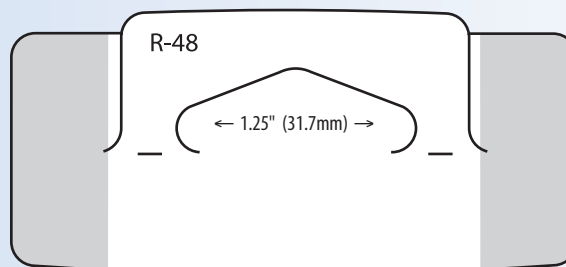
R-44	Imperial	Metric
Gauge:	5 mil	127 μ
Dimensions (W x H):	1.75 x .875in	44.5 x 22.2mm
Format:	6.5M / roll	
Package:	3 x 12in roll	7.6 x 30.5cm
Master Carton Quantity:	39M (6 rolls)	
Master Carton Weight:	33lb	15kg
Recommended Product Display Weight:	6oz	170g



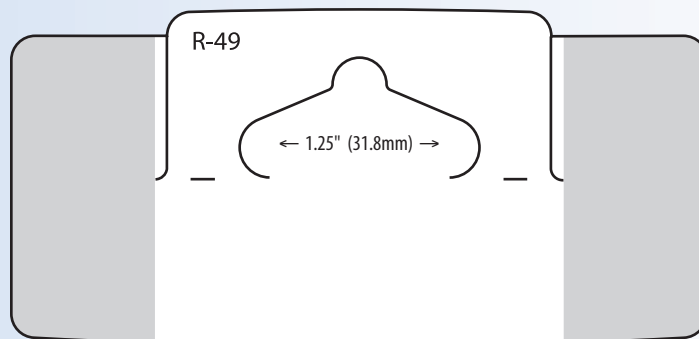
R-46	Imperial	Metric
Gauge:	15 mil	381 μ
Dimensions (W x H):	2.5 x .937in	63.5 x 23.8mm
Format:	5M / roll	
Package:	6 x 15.5in roll	15.2 x 39.4cm
Master Carton Quantity:	15M (3 rolls)	
Master Carton Weight:	46lb	20.9kg
Recommended Product Display Weight:	9oz	255g



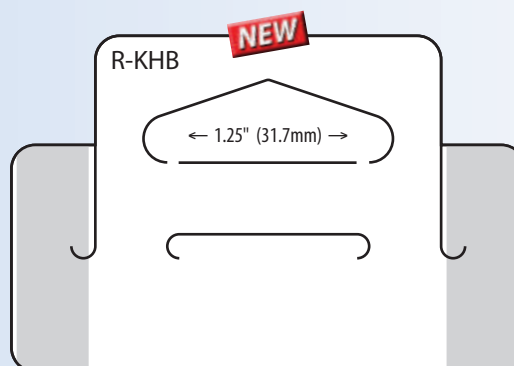
R-48	Imperial	Metric
Gauge:	15 mil	381 μ
Dimensions (W x H):	2.937 x 1.375in	74.8 x 34.9mm
Format:	4M / roll	
Package:	6 x 15.5in roll	15.2 x 39.4cm
Master Carton Quantity:	8M (2 rolls)	
Master Carton Weight:	31lb	14.1kg
Recommended Product Display Weight:	11oz	311g



R-49	Imperial	Metric
Gauge:	15 mil	381 μ
Dimensions (W x H):	3.625 x 1.75in	92.1 x 44.3mm
Format:	3M / roll	
Package:	6 x 15.5in roll	15.2 x 39.4cm
Master Carton Quantity:	6M (2 rolls)	
Master Carton Weight:	36lb	16.4kg
Recommended Product Display Weight:	14oz	397g

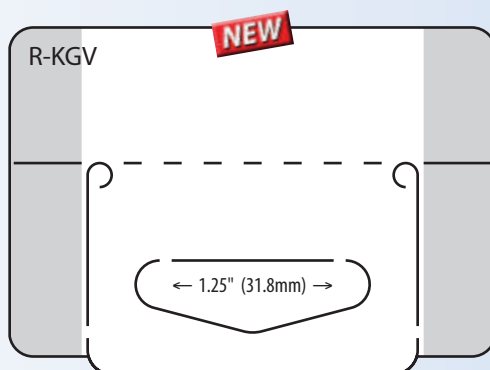
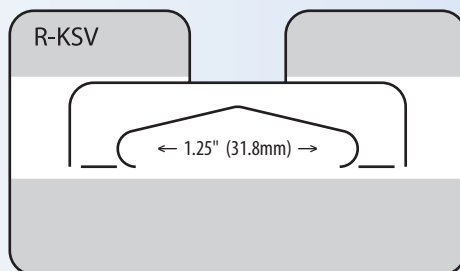
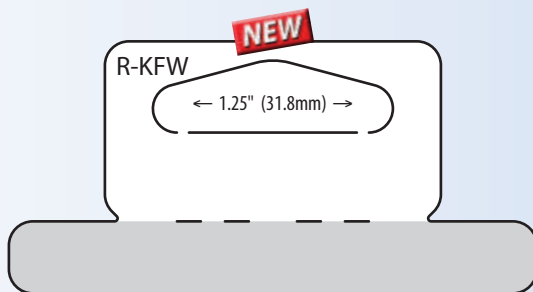
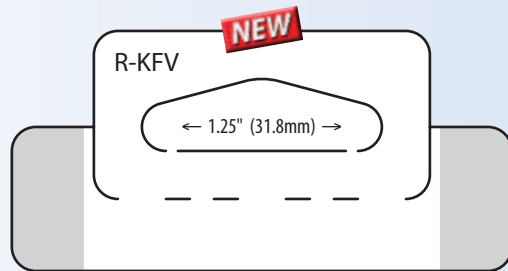
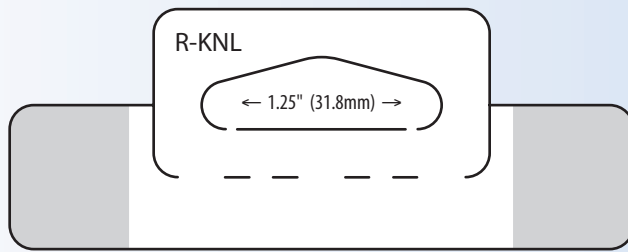


R-KHB	Imperial	Metric
Gauge:	20 mil	508 μ
Dimensions (W x H):	2.677 x 1.75in	68 x 44.5mm
Format:	2.5M / roll	
Package:	6 x 15.5in roll	15.2 x 39.4cm
Master Carton Quantity:	7.5M (3 rolls)	
Master Carton Weight:	41lb	18.6kg
Recommended Product Display Weight:	12oz	340g



M = 1,000

Interior & Box Top Hang Tabs | Roll Form



R-KNL

	Imperial	Metric
Gauge:	10 mil	254 μ
Dimensions (W x H):	3.25 x 1.25in	82.6 x 31.8mm
Format:	5M / roll	
Package:	6 x 15.5in roll	15.2 x 39.4cm
Master Carton Quantity:	10M (2 rolls)	
Master Carton Weight:	24lb	10.9kg
Recommended Product Display Weight:	9oz	255g

R-KFV

	Imperial	Metric
Gauge:	10 mil	254 μ
Dimensions (W x H):	2.604 x 1.25in	66.2 x 31.8mm
Format:	5.5M / roll	
Package:	6 x 15.5in roll	15.2 x 39.4cm
Master Carton Quantity:	16.5M (3 rolls)	
Master Carton Weight:	45lb	20kg
Recommended Product Display Weight:	6oz	170g

R-KFW

	Imperial	Metric
Gauge:	10 mil	254 μ
Dimensions (W x H):	2.75 x 1.312in	69.8 x 33.3mm
Format:	2.5M / roll	
Package:	6 x 15.5in roll	15.2 x 39.4cm
Master Carton Quantity:	12.5M (5 rolls)	
Master Carton Weight:	30lb	13.6kg
Recommended Product Display Weight:	6oz	170g

R-KSV

	Imperial	Metric
Gauge:	15 mil	381 μ
Dimensions (W x H):	2.375 x 1.375in	60.3 x 34.9mm
Format:	2M / roll	
Package:	6 x 15.5in roll	15.2 x 39.4cm
Master Carton Quantity:	10M (5 rolls)	
Master Carton Weight:	34lb	15.5kg
Recommended Product Display Weight:	11oz	311g

R-KGV

	Imperial	Metric
Gauge:	15 mil	381 μ
Dimensions (W x H):	2.5 x 1.81in	63.5 x 46mm
Format:	2.5M / roll	
Package:	6 x 15.5in roll	15.2 x 39.4cm
Master Carton Quantity:	7.5M (3 rolls)	
Master Carton Weight:	34lb	16.5kg
Recommended Product Display Weight:	12oz	340g

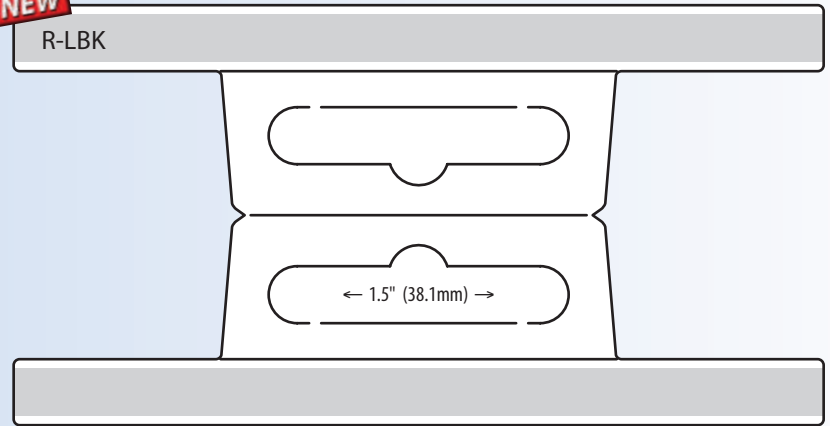


Roll Form | Interior & Box Top Hang Tabs

R-LBK

	Imperial	Metric
Gauge:	10 mil	254 μ
Dimensions (W x H):	4.21 x 2.18in	106.9 x 55.4mm
Format:	1.5M / roll	
Package:	6 x 15.5in roll	15.2 x 39.4cm
Master Carton Quantity:	4.5M (3 rolls)	
Master Carton Weight:	30lb	13.6kg
Recommended Product Display Weight:	14oz	397g

NEW

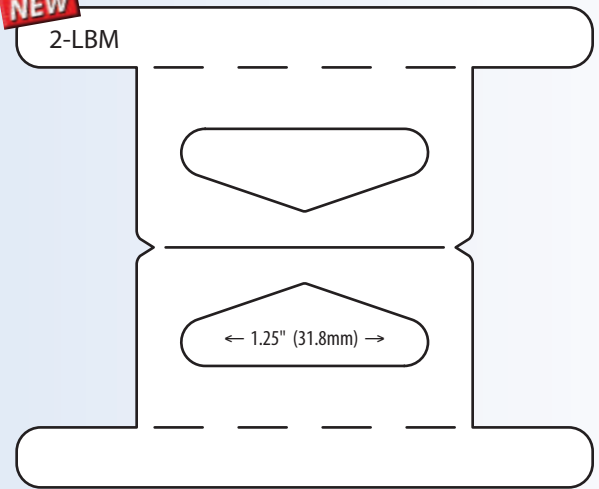


Loose Piece | Interior & Box Top Hang Tabs

2-LBM

	Imperial	Metric
Gauge:	10 mil	254 μ
Dimensions (W x H):	3 x 2.5in	76.2 x 63.5mm
Format:	loose piece	
Package:	10M carton	
Master Carton Quantity:	10M (1 carton)	
Master Carton Weight:	24lb	10.9kg
Recommended Product Display Weight:	7oz	178g

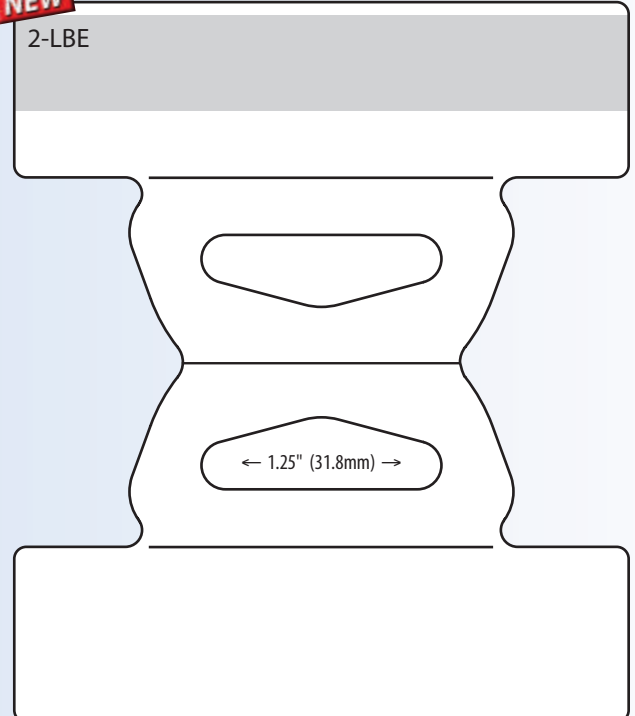
NEW



2-LBE

	Imperial	Metric
Gauge:	15 mil	381 μ
Dimensions (W x H):	3.2 x 3.75in	81.2 x 95.3mm
Format:	loose piece	
Package:	5M carton	
Master Carton Quantity:	5M (1 carton)	
Master Carton Weight:	31lb	14kg
Recommended Product Display Weight:	14oz	397g

NEW



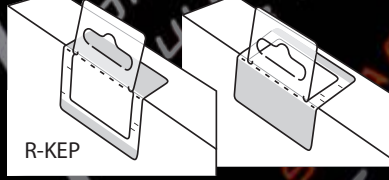
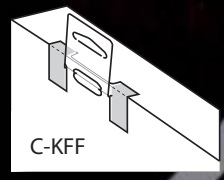
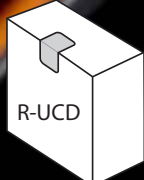
M = 1,000



Security Hang Tabs

Securely hangs product, securely seals box or package. Folds down for shipping, folds up for use.

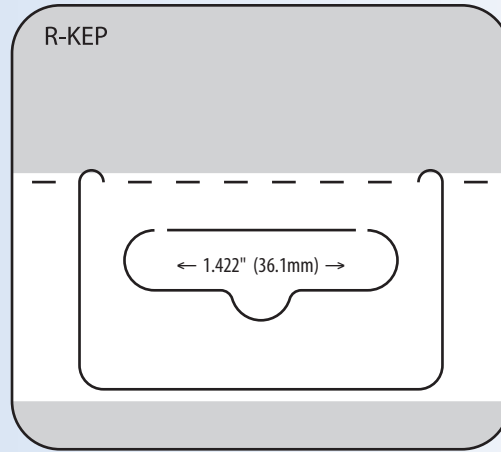
“Don’t Risk It... Do-It!”





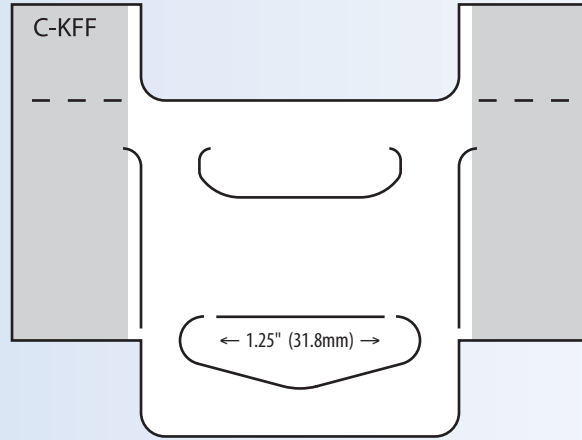
R-KEP

	Imperial	Metric
Gauge:	20 mil	508 μ
Dimensions (W x H):	2.594 x 2.313in	65.9 x 58.7mm
Format:	1.5M / roll	
Package:	6 x 15.5in roll	15.2 x 39.4cm
Master Carton Quantity:	3M (2 rolls)	
Master Carton Weight:	23lb	10.4kg
Recommended Product Display Weight:	20oz	567g



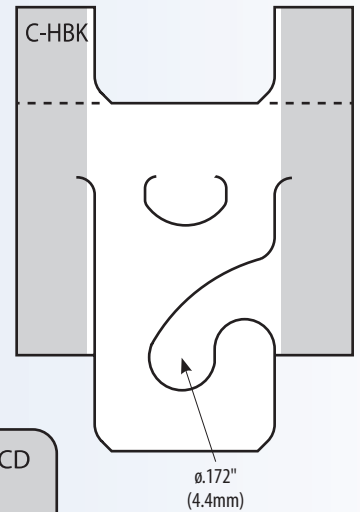
C-KFF

	Imperial	Metric
Gauge:	15 mil	381 μ
Dimensions (W x H):	3 x 2.25in	76.2 x 44.5mm
Format:	10M / economy roll	
Package:	6 x 15.5in roll	15.2 x 39.4cm
Master Carton Quantity:	10M	
Master Carton Weight:	50lb	22.8kg
Recommended Product Display Weight:	20oz	567g



C-HBK

	Imperial	Metric
Gauge:	20 mil	508 μ
Dimensions (W x H):	1.75 x 2.31in	44.5 x 58.7mm
Format:	7.5M / economy roll	
Package:	6 x 15.5in roll	15.2 x 39.4cm
Master Carton Quantity:	7.5M (1 roll)	
Master Carton Weight:	30lb	13.6kg
Recommended Product Display Weight:	10oz	283g



R-UCD

	Imperial	Metric
Gauge:	10 mil*	254 μ *
Dimensions (W x H):	.6875 x 1.625in	17.5 x 41.3mm
Format:	9.5M / roll	
Package:	6 x 15.5in roll	15.2 x 39.4cm
Master Carton Quantity:	38M (4 rolls)	
Master Carton Weight:	43lb	19.5kg
	*Available in different thicknesses	



M = 1,000

Narrow Slot Hang Tabs



*“Less packaging.
More sales.”*



Roll Form | Narrow Slot Hang Tabs

R-KAA

	Imperial	Metric
Gauge:	15 mil	381 μ
Dimensions (W x H):	2 x 3in	50.8 x 76.2mm
Format:	2.5M / roll	
Package:	6 x 15.5in roll	15.2 x 39.4cm
Master Carton Quantity:	5M (2 rolls)	
Master Carton Weight:	23lb	10.5kg
Recommended Product Display Weight:	18oz	509g

R-KWN

	Imperial	Metric
Gauge:	15 mil	381 μ
Dimensions (W x H):	2 x 1.9375in	50.8 x 49.23mm
Format:	5M / economy roll	
Package:	6 x 15.5in roll	15.2 x 39.4cm
Master Carton Quantity:	10M (2 rolls)	
Master Carton Weight:	30lb	13.6kg
Recommended Product Display Weight:	16oz	452g

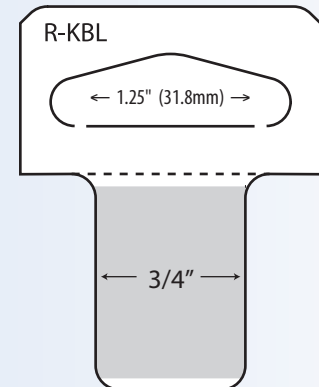
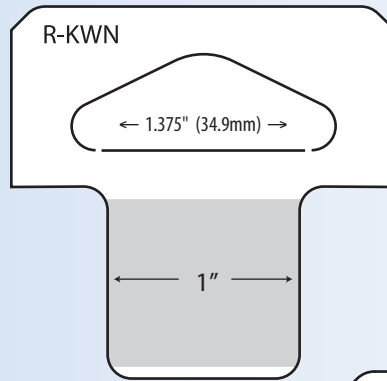
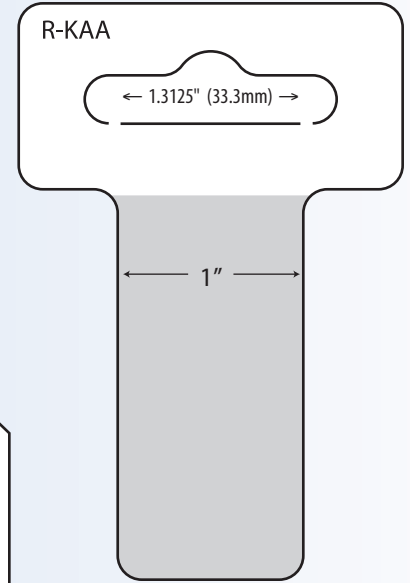
R-KBL

	Imperial	Metric
Gauge:	15 mil	381 μ
Dimensions (W x H):	1.5625 x 2in	39.7 x 50.8mm
Format:	8M / economy roll	
Package:	6 x 15.5in roll	15.2 x 39.4cm
Master Carton Quantity:	16M (2 rolls)	
Master Carton Weight:	36lb	16.4kg
Recommended Product Display Weight:	10oz	283g

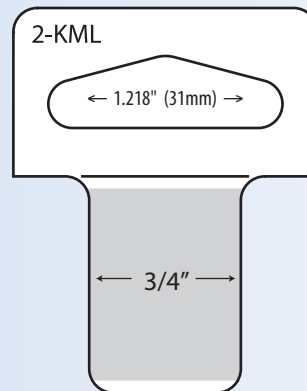
2-KML

	Imperial	Metric
Gauge:	15 mil	381 μ
Dimensions (W x H):	1.5842 x 2in	40.2 x 50.8mm
Format:	loose piece	
Package:	5M carton	
Master Carton Quantity:	5M (1 carton)	
Master Carton Weight:	11lb	5kg
Recommended Product Display Weight:	10oz	283g

M = 1,000



Loose Piece | Narrow Slot Hang Tabs



Reinforcer Hang Tabs

Strengthen the existing hang hole in blister cards, folding cartons, and paper header cards.



“Do-It Reinforcer Hang Tabs can double or triple the hang hole strength of your paperboard package.”



Roll Form | Reinforcer Hang Tabs

R-71 / R-77

	Imperial	Metric
Gauge:	10 mil	254 μ
Dimensions (W x H):	1.875 x .62in	47.6 x 15.8mm
Format:	12M / roll	
Package:	6 x 15.5in roll	15.2 x 39.4cm
Master Carton Quantity:	48M (4 rolls)	
Master Carton Weight:	34lb	15.5kg

R-RAL

	Imperial	Metric
Gauge:	10 mil	254 μ
Dimensions (W x H):	1.625 x .875in	41.3 x 22.3mm
Format:	4M / roll	
Package:	6 x 15.5in roll	15.2 x 39.4cm
Master Carton Quantity:	16M (4 rolls)	
Master Carton Weight:	27lb	12kg

R-RUR

	Imperial	Metric
Gauge:	10 mil	254 μ
Dimensions (W x H):	2 x .875in	50.8 x 22.2mm
Format:	3.5M / roll	
Package:	6 x 15.5in roll	15.2 x 39.4cm
Master Carton Quantity:	21M (6 rolls)	
Master Carton Weight:	32lb	14.5kg

R-72

	Imperial	Metric
Gauge:	10 mil	254 μ
Dimensions (W x H):	.937 x 1.062in	23.8 x 27mm
Format:	8.5M / roll	
Package:	6 x 15.5in roll	15.2 x 39.4cm
Master Carton Quantity:	42.5M (5 rolls)	
Master Carton Weight:	30lb	13.6kg

R-73

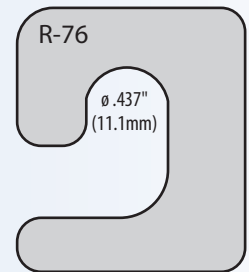
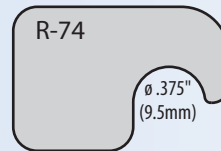
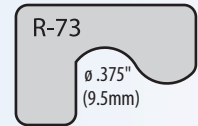
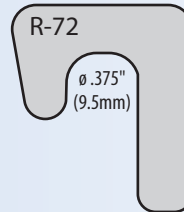
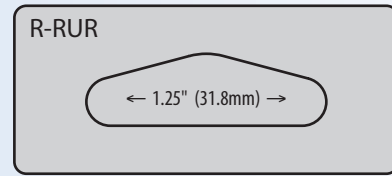
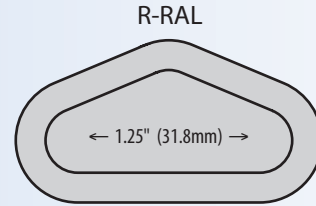
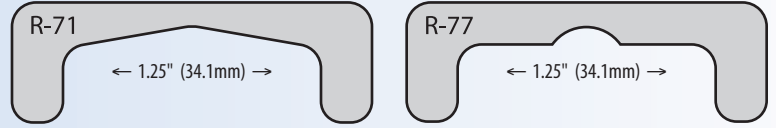
	Imperial	Metric
Gauge:	10 mil	254 μ
Dimensions (W x H):	.937 x .625in	23.8 x 15.9mm
Format:	8.5M / roll	
Package:	6 x 15.5in roll	15.2 x 39.4cm
Master Carton Quantity:	68M (8 rolls)	
Master Carton Weight:	32lb	14.5kg

R-74

	Imperial	Metric
Gauge:	10 mil	254 μ
Dimensions (W x H):	1.125 x .75in	31.8 x 19.1mm
Format:	3M / roll	
Package:	6 x 12in roll	15.2 x 30.5cm
Master Carton Quantity:	24M (8 rolls)	
Master Carton Weight:	18lb	8.2kg

R-76

	Imperial	Metric
Gauge:	10 mil	254 μ
Dimensions (W x H):	1.187 x 1.375in	30.2 x 34.9mm
Format:	7M / roll	
Package:	6 x 15.5in roll	15.2 x 39.4cm
Master Carton Quantity:	35M (5 rolls)	
Master Carton Weight:	38lb	17.3kg



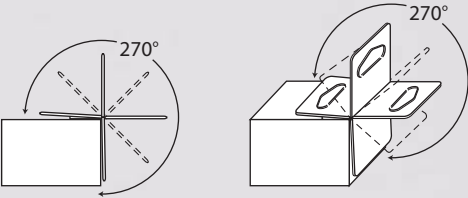
M = 1,000

FlexiTab™ Hang Tabs

FlexiTab™ Hang Tabs have a thicker hang hole area and thinner adhesive area. FlexiTabs have the ability to stick well to curved, uneven, or uniquely shaped packages.



“Be seen, get noticed with Do-It Hang Tabs.”



FlexiTab Hang Tabs allow you to use your existing master carton.



Roll Form | FlexiTab™ Hang Tabs

R-T03	Imperial	Metric
Gauge:	10 mil	254 μ
Dimensions (W x H):	1.75 x 1.437in	44.5 x 36.5mm
Format:	3M / roll	
Package:	3 x 12in roll	7.6 x 30.5cm
Master Carton Quantity:	12M (4 rolls)	
Master Carton Weight:	17lb	7.7kg
Recommended Product Display Weight:	9oz	255g

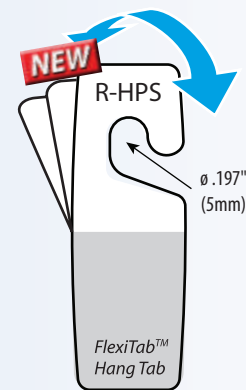
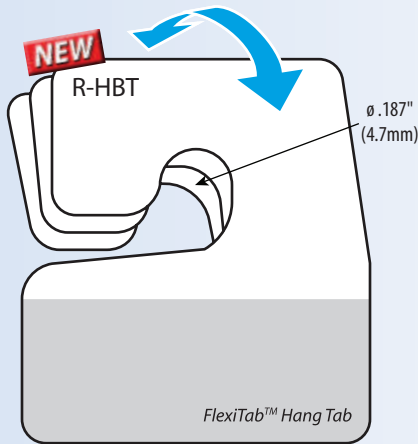
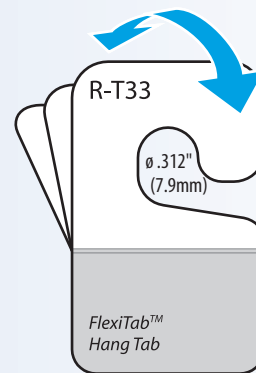
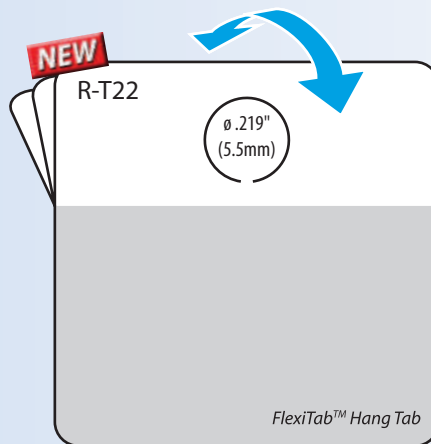
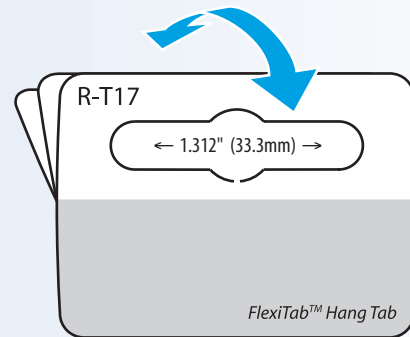
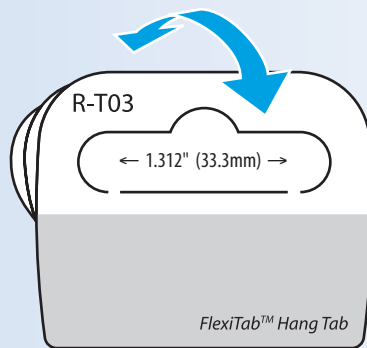
R-T17	Imperial	Metric
Gauge:	10 mil	254 μ
Dimensions (W x H):	1.875 x 1.375in	47.6 x 34.9mm
Format:	4M / roll	
Package:	6 x 15.5in roll	15.2 x 39.4cm
Master Carton Quantity:	20M (5 rolls)	
Master Carton Weight:	28lb	12.7kg
Recommended Product Display Weight:	8oz	227g

R-T22	Imperial	Metric
Gauge:	15 mil	381 μ
Dimensions (W x H):	2 x 2in	50.8 x 50.8mm
Format:	3M / roll	
Package:	6 x 15.5in roll	15.2 x 39.4cm
Master Carton Quantity:	12M (4 rolls)	
Master Carton Weight:	31lb	14.1kg
Recommended Product Display Weight:	16oz	454g

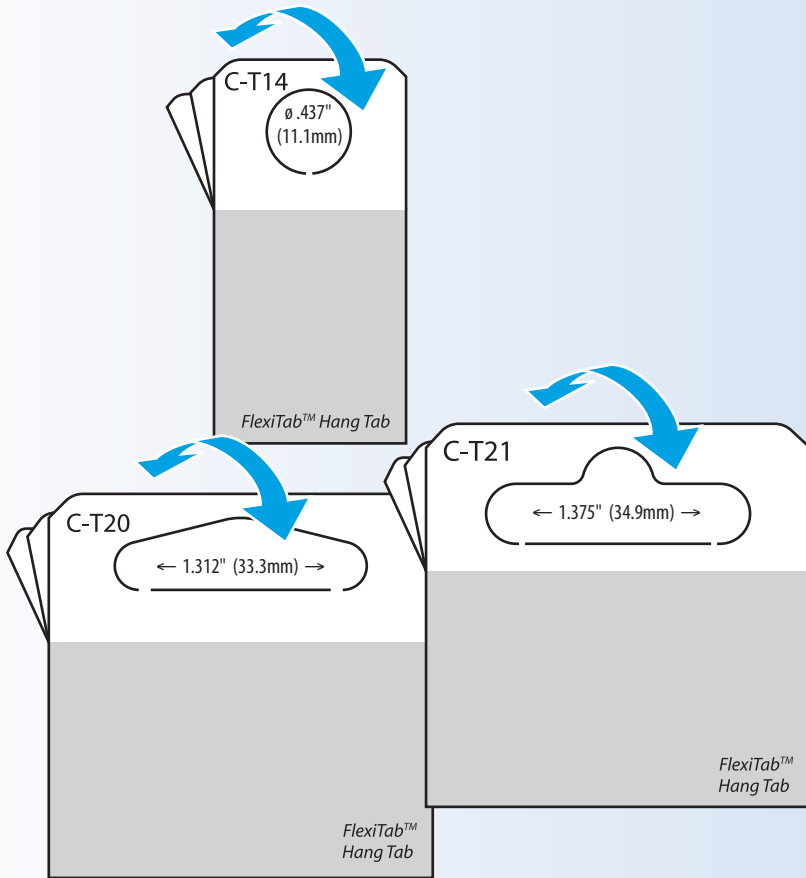
R-T33	Imperial	Metric
Gauge:	15 mil	381 μ
Dimensions (W x H):	1 x 1.625in	25.4 x 41.3mm
Format:	6M / roll	
Package:	6 x 15.5in roll	15.2 x 39.4cm
Master Carton Quantity:	24M (4 rolls)	
Master Carton Weight:	27lb	12.2kg
Recommended Product Display Weight:	8oz	227g

R-HBT	Imperial	Metric
Gauge:	25 mil	635 μ
Dimensions (W x H):	1.812 x 2in	46 x 50.8mm
Format:	2.25M / roll	
Package:	6 x 15.5in roll	15.2 x 39.4cm
Master Carton Quantity:	6.75M (3 rolls)	
Master Carton Weight:	24lb	10.9kg
Recommended Product Display Weight:	16oz	454g

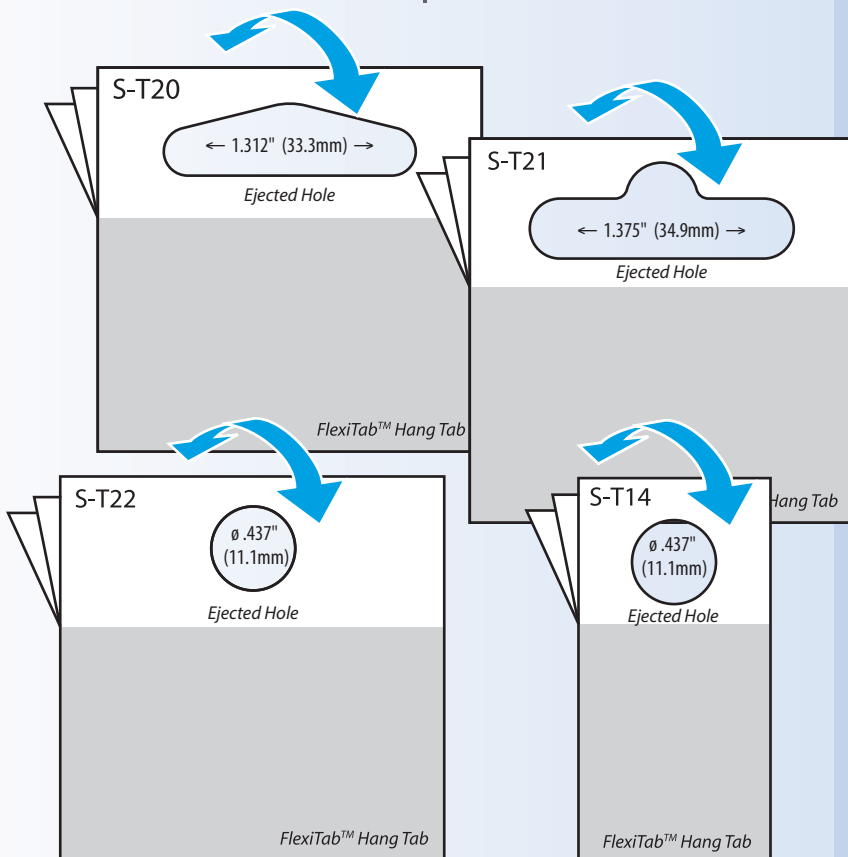
R-HPS	Imperial	Metric
Gauge:	10 mil	254 μ
Dimensions (W x H):	.591 x 1.694in	15 x 43mm
Format:	14M / roll	
Package:	6 x 15.5in roll	15.2 x 39.4cm
Master Carton Quantity:	42M (3 rolls)	
Master Carton Weight:	43lb	19.5kg
Recommended Product Display Weight:	5oz	142g



FlexiTab™ Hang Tabs | Sheeted



FlexiTab™ Hang Tabs | StaxPad



C-T14	Imperial	Metric
Gauge:	7.5 mil	190 μ
Dimensions (W x H):	1 x 2in	25.4 x 50.8mm
Format:	20 / sheet	
Package:	500/pack 5M/box	
Master Carton Quantity:	20M (4 boxes)	
Master Carton Weight:	17lb	7.7kg
Recommended Product Display Weight:	8oz	226g

C-T20 / CT21	Imperial	Metric
Gauge:	15 mil	381 μ
Dimensions (W x H):	2 x 2in	50.8 x 50.8mm
Format:	10 / sheet	
Package:	500 pack	
Master Carton Quantity:	5M (10 packs)	
Master Carton Weight:	11lb	5kg
Recommended Product Display Weight:	10oz	283g

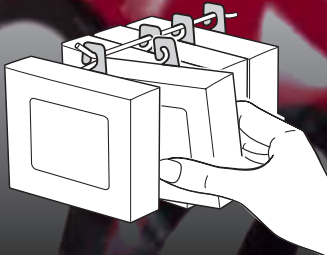
S-T20 / S-T21 / S-T22	Imperial	Metric
Gauge:	15 mil	381 μ
Dimensions (W x H):	2 x 2in	50.8 x 50.8mm
Format:	10 / pad	
Package:	50 pads/box	
Master Carton Quantity:	5M (10 boxes)	
Master Carton Weight:	9lb	4.1kg
Recommended Product Display Weight:	S-T20 / S-T21: 10oz S-T22: 14oz	283g 397g

S-T14	Imperial	Metric
Gauge:	15 mil	381 μ
Dimensions (W x H):	1 x 2in	25.4 x 50.8mm
Format:	10 / pad	
Package:	100 pads/box	
Master Carton Quantity:	10M (10 boxes)	
Master Carton Weight:	9lb	4.1kg
Recommended Product Display Weight:	9oz	255g

Hook Hang Tabs

Hook Hang Tabs allow for backshopping. Remove and replace product from any position on the display peg.

“Peggable products promote self-service.”





Roll Form | Hook Hang Tabs

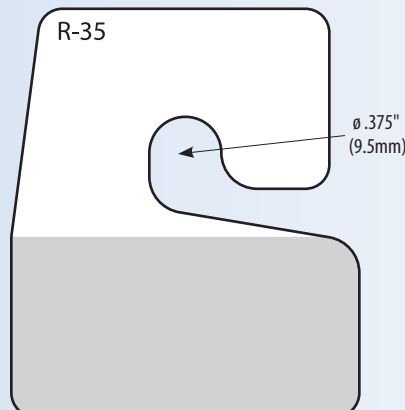
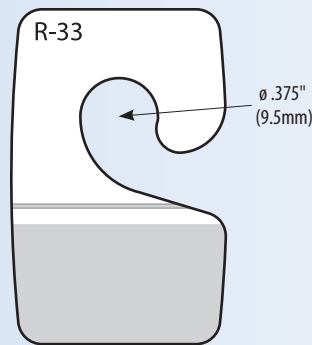
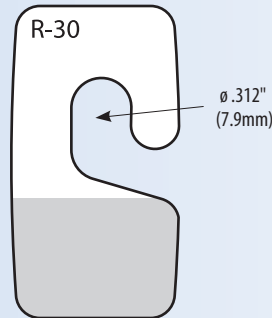
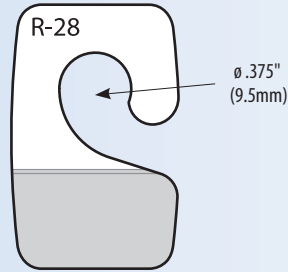
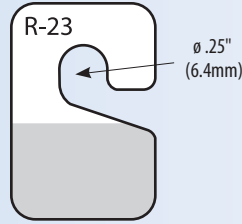
R-23	Imperial	Metric
Gauge:	10 mil	254 μ
Dimensions (W x H):	.75 x 1.125in	19.1 x 28.6mm
Format:	6M / roll	
Package:	3 x 12in roll	7.6 x 30.5cm
Master Carton Quantity:	48M (8 rolls)	
Master Carton Weight:	33lb	15kg
Recommended Product Display Weight:	3oz	85g

R-28	Imperial	Metric
Gauge:	15 mil	381 μ
Dimensions (W x H):	.87 x 1.375in	22.1 x 34.9mm
Format:	6M / roll	
Package:	6 x 15.5in roll	15.2 x 39.4cm
Master Carton Quantity:	30M (5 rolls)	
Master Carton Weight:	31lb	14.1kg
Recommended Product Display Weight:	6oz	170g

R-30	Imperial	Metric
Gauge:	20 mil	508 μ
Dimensions (W x H):	.873 x 1.625in	22.2 x 41.3mm
Format:	5M / roll	
Package:	6 x 15.5in roll	15.2 x 39.4cm
Master Carton Quantity:	20M (4 rolls)	
Master Carton Weight:	34lb	15.5kg
Recommended Product Display Weight:	12oz	340g

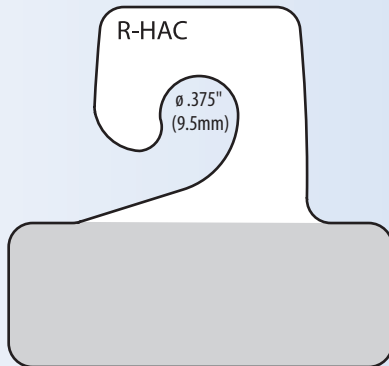
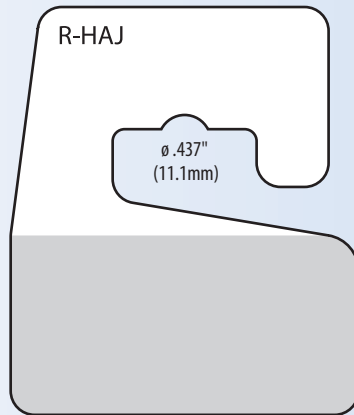
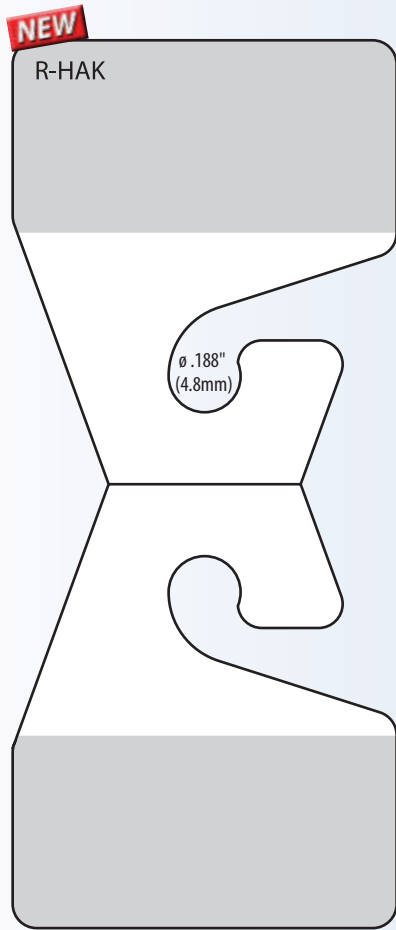
R-33	Imperial	Metric
Gauge:	25 mil	635 μ
Dimensions (W x H):	1.106 x 1.75in	28.1 x 44.5mm
Format:	3.5M / roll	
Package:	6 x 15.5in roll	15.2 x 39.4cm
Master Carton Quantity:	14M (4 rolls)	
Master Carton Weight:	38lb	17.3kg
Recommended Product Display Weight:	14oz	397g

R-35	Imperial	Metric
Gauge:	25 mil	635 μ
Dimensions (W x H):	1.75 x 2.125in	44.5 x 54mm
Format:	2M / roll	
Package:	6 x 15.5in roll	15.2 x 39.4cm
Master Carton Quantity:	6M (3 rolls)	
Master Carton Weight:	33lb	15kg
Recommended Product Display Weight:	20oz	566g



M = 1,000

Hook Hang Tabs | Roll Form



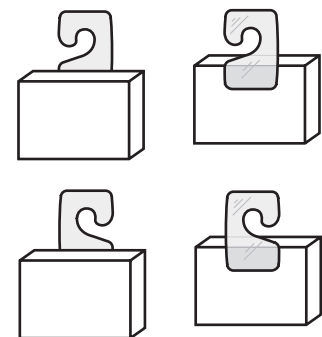
R-HAJ	Imperial	Metric
Gauge:	25 mil	635 µ
Dimensions (W x H):	1.75 x 2.125in	44.5 x 54mm
Format:	2M / roll	
Package:	6 x 15.5in roll	15.2 x 39.4cm
Master Carton Quantity:	6M (3 rolls)	
Master Carton Weight:	33lb	15kg
Recommended Product Display Weight:	16oz	454g

R-HAK	Imperial	Metric
Gauge:	20 mil	508 µ
Dimensions (W x H):	2 x 4.625in	50.8 x 117.5mm
Format:	2M / roll	
Package:	6 x 15.5in roll	15.2 x 39.4cm
Master Carton Quantity:	4M (2 rolls)	
Master Carton Weight:	32lb	14.5kg
Recommended Product Display Weight:	40oz	1,132g

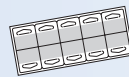
R-HAC	Imperial	Metric
Gauge:	20 mil	508 µ
Dimensions (W x H):	1.984 x 1.875in	50.4 x 47.6mm
Format:	2.5M / roll	
Package:	6 x 15.5in roll	15.2 x 39.4cm
Master Carton Quantity:	7.5M (3 rolls)	
Master Carton Weight:	26lb	11.8kg
Recommended Product Display Weight:	12oz	340g

M = 1,000

RIGHT HANDED OR LEFT HANDED?



Hook hang tabs can be "right hand" or "left hand" peg hook removal - depending on the design and placement (front or backside).

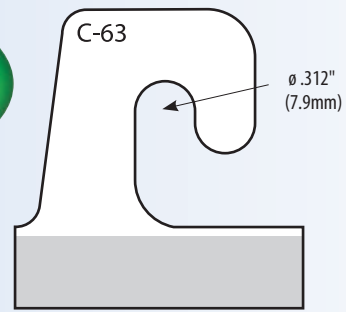


Sheeted | Hook Hang Tabs

C-63

	Imperial	Metric
Gauge:	20 mil	508 μ
Dimensions (W x H):	1.5 x 1.562in	38.1 x 39.7mm
Format:	20 / sheet	
Package:	5M box	
Master Carton Quantity:	25M (5 boxes)	
Master Carton Weight:	44lb	20kg
Recommended Product Display Weight:	12oz	340g

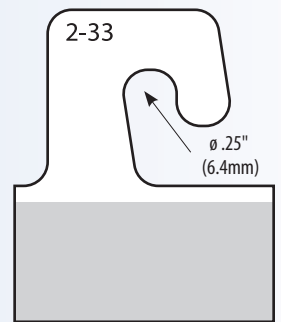
Pegtable products give retailers options to display product where it will sell best



Loose Piece | Hook Hang Tabs

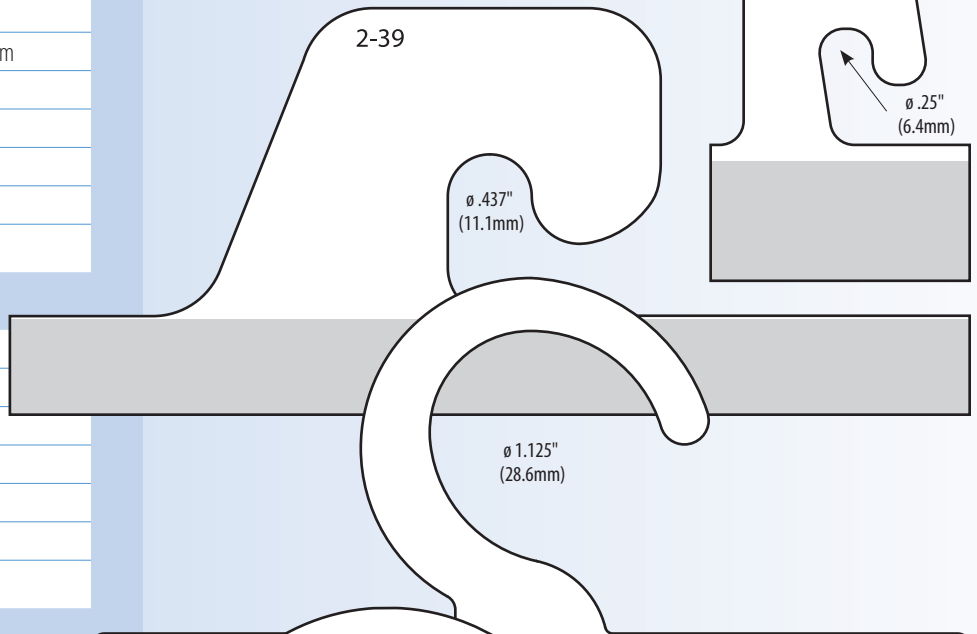
2-33

	Imperial	Metric
Gauge:	25 mil	635 μ
Dimensions (W x H):	1.375 x 1.625in	34.9 x 41.3mm
Format:	loose piece	
Package:	500 bag	
Master Carton Quantity:	5M (10 bags)	
Master Carton Weight:	12lb	5.5kg
Recommended Product Display Weight:	18oz	510g



2-39

	Imperial	Metric
Gauge:	50 mil	1270 μ
Dimensions (W x H):	5 x 2.125in	127 x 54mm
Format:	loose piece	
Package:	1M carton	
Master Carton Quantity:	1M (1 carton)	
Master Carton Weight:	19 lb	8.6kg
Recommended Product Display Weight:	24oz	680g



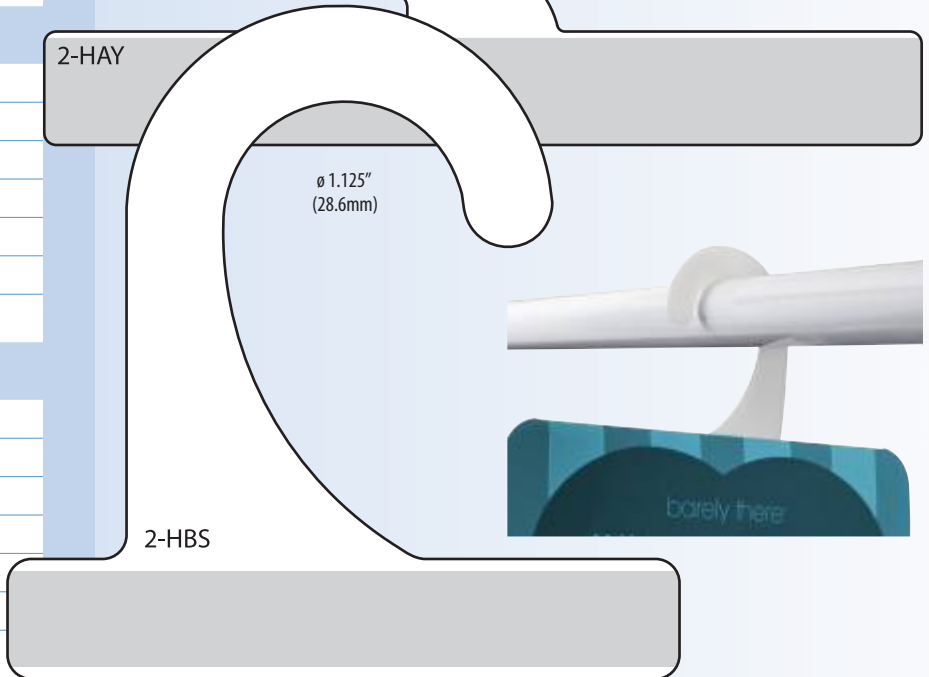
2-HAY

	Imperial	Metric
Gauge:	50 mil	1270 μ
Dimensions (W x H):	4.57 x 2.442in	116.1 x 62.1mm
Format:	loose piece	
Package:	2.5M box	
Master Carton Quantity:	2.5M (1 carton)	
Master Carton Weight:	40lb	18.1kg
Recommended Product Display Weight:	10oz	283g



2-HBS

	Imperial	Metric
Gauge:	50 mil	1270 μ
Dimensions (W x H):	3.5 x 3.5in	88.9 x 88.9mm
Format:	loose piece	
Package:	2.5M box	
Master Carton Quantity:	2.5M (1 carton)	
Master Carton Weight:	34lb	15.5kg
Recommended Product Display Weight:	10oz	283g



M = 1,000

Hook Hang Tabs – Fold-Up

Fold-up hang tabs lie flat for shipping, fold up for hanging.
No need to change your master carton.

*“Maximize your sales
with product display ideas
from Do-It Corporation.”*





Roll Form | Hook Hang Tabs – Fold-Up

R-52	Imperial	Metric
Gauge:	15 mil	381 μ
Dimensions (W x H):	1.375 x 1.375in	34.9 x 34.9mm
Format:	4M / roll	
Package:	6 x 15.5in roll	15.2 x 39.4cm
Master Carton Quantity:	20M (5 rolls)	
Master Carton Weight:	39lb	17.6kg
Recommended Product Display Weight:	6oz	170g

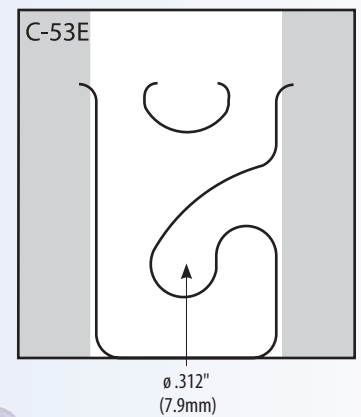
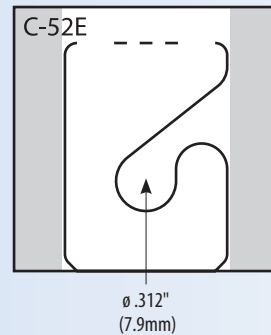
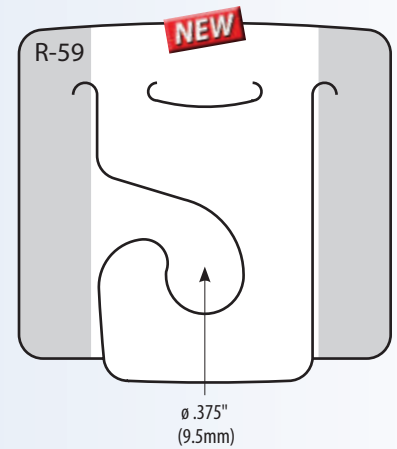
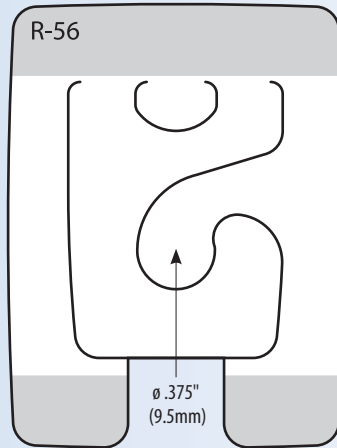
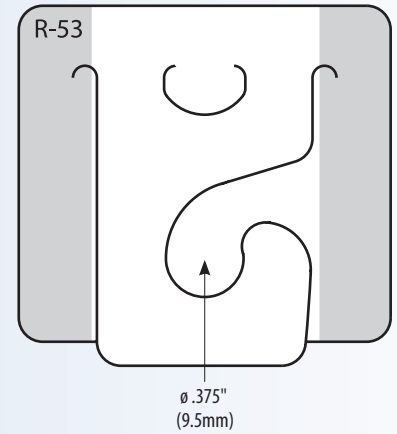
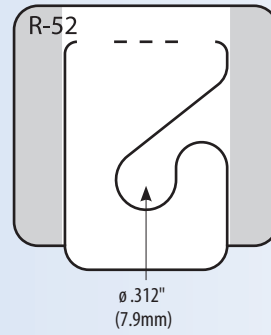
R-53	Imperial	Metric
Gauge:	20 mil	508 μ
Dimensions (W x H):	1.9375 x 1.875in	49.2 x 47.6mm
Format:	2.5M / roll	
Package:	6 x 15.5in roll	15.2 x 39.4cm
Master Carton Quantity:	7.5M (3 rolls)	
Master Carton Weight:	41lb	18.6kg
Recommended Product Display Weight:	11oz	311g

R-56	Imperial	Metric
Gauge:	20 mil	508 μ
Dimensions (W x H):	1.75 x 2.3125in	44.5 x 58.1mm
Format:	2.5M / roll	
Package:	6 x 15.5in roll	15.2 x 39.4cm
Master Carton Quantity:	7.5M (3 rolls)	
Master Carton Weight:	36lb	16.3kg
Recommended Product Display Weight:	11oz	311g

R-59	Imperial	Metric
Gauge:	20 mil	508 μ
Dimensions (W x H):	1.935 x 1.875in	49.2 x 47.6mm
Format:	2M / roll	
Package:	6 x 15.5in roll	15.2 x 39.4cm
Master Carton Quantity:	8M (4 rolls)	
Master Carton Weight:	44lb	20kg
Recommended Product Display Weight:	11oz	311g

C-52E	Imperial	Metric
Gauge:	15 mil	381 μ
Dimensions (W x H):	1.375 x 1.375in	34.9 x 34.9mm
Format:	20M / economy roll	
Package:	6 x 15.5in roll	15.2 x 39.4cm
Master Carton Quantity:	20M (1 roll)	
Master Carton Weight:	37lb	16.8kg
Recommended Product Display Weight:	6oz	170g

C-53E	Imperial	Metric
Gauge:	20 mil	508 μ
Dimensions (W x H):	1.75 x 1.812in	44.5 x 46mm
Format:	8M / economy roll	
Package:	6 x 15.5in roll	15.2 x 39.4cm
Master Carton Quantity:	8M (1 roll)	
Master Carton Weight:	33lb	15kg
Recommended Product Display Weight:	11oz	311g



M = 1,000

Round Hole Hang Tabs

Round Hole Hang Tabs are great for a variety of single peg fixtures and display strips.

“Do-It products are designed to get your products noticed in the retail environment.”





Roll Form | Round Hole Hang Tabs

R-05

	Imperial	Metric
Gauge:	5 mil	127 μ
Dimensions (W x H):	1 x 1.312in	25.4 x 33.3mm
Format:	9M / roll	
Package:	6 x 15.5in roll	15.2 x 39.4cm
Master Carton Quantity:	45M (5 rolls)	
Master Carton Weight:	31lb	14.1kg
Recommended Product Display Weight:	12oz	340g

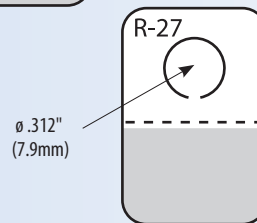
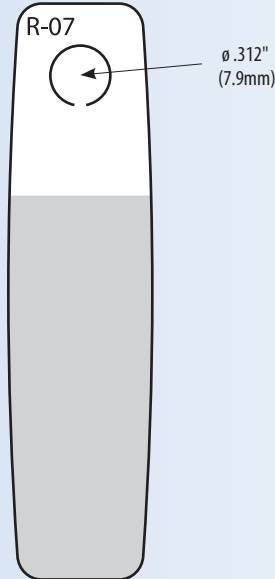
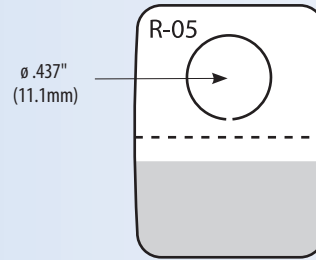
R-07

	Imperial	Metric
Gauge:	10 mil	254 μ
Dimensions (W x H):	.75 x 3in	19.1 x 76.2mm
Format:	8.5M / roll	
Package:	6 x 15.5in roll	15.2 x 39.4cm
Master Carton Quantity:	17M (2 rolls)	
Master Carton Weight:	34lb	15.5kg
Recommended Product Display Weight:	14oz	396g

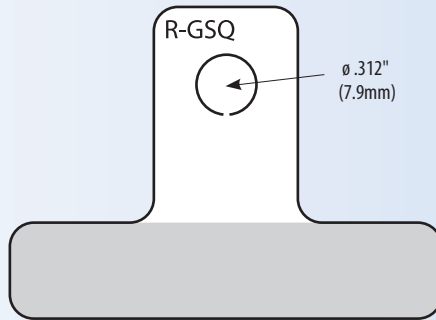
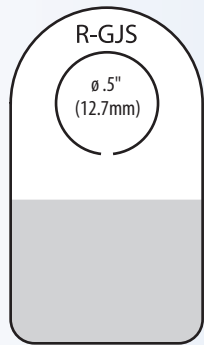
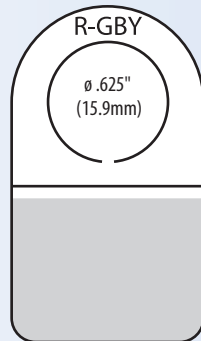
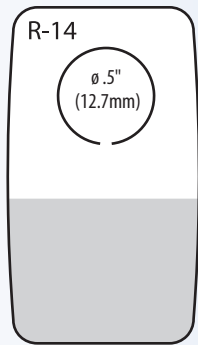
R-27

	Imperial	Metric
Gauge:	5 mil	127 μ
Dimensions (W x H):	.75 x 1.125in	19.1 x 28.6mm
Format:	8.5M / roll	
Package:	3 x 12in roll	7.6 x 30.5cm
Master Carton Quantity:	68M (8 rolls)	
Master Carton Weight:	31lb	14.1kg
Recommended Product Display Weight:	8oz	200g

M = 1,000



Round Hole Hang Tabs | Roll Form



R-14	Imperial	Metric
Gauge:	10 mil	254 μ
Dimensions (W x H):	1 x 1.75in	25.4 x 44.5mm
Format:	6.5M / roll	
Package:	6 x 15.5in roll	15.2 x 39.4cm
Master Carton Quantity:	26M (4 rolls)	
Master Carton Weight:	34lb	15.5kg
Recommended Product Display Weight:	12oz	340g

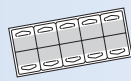
R-GBY	Imperial	Metric
Gauge:	5 mil	127 μ
Dimensions (W x H):	1 x 1.75in	25.4 x 44.5mm
Format:	2.5M / roll	
Package:	3 x 12in roll	7.6 x 30.5cm
Master Carton Quantity:	12.5M (5 rolls)	
Master Carton Weight:	13lb	5.9kg
Recommended Product Display Weight:	5oz	142g

R-GJS	Imperial	Metric
Gauge:	15 mil	381 μ
Dimensions (W x H):	1 x 1.75in	25.4 x 44.5mm
Format:	2.5M / roll	
Package:	6 x 12in roll	15.2 x 30.5cm
Master Carton Quantity:	15M (6 rolls)	
Master Carton Weight:	31lb	11.4kg
Recommended Product Display Weight:	14oz	397g

R-GSQ	Imperial	Metric
Gauge:	10 mil	254 μ
Dimensions (W x H):	2.25 x 1.625in	57.2 x 41.3mm
Format:	3M / roll	
Package:	6 x 15.5in roll	15.2 x 39.4cm
Master Carton Quantity:	12M (4 rolls)	
Master Carton Weight:	35lb	15.9kg
Recommended Product Display Weight:	14oz	397g

M = 1,000

Maximize Display Density. Show more product in less space.

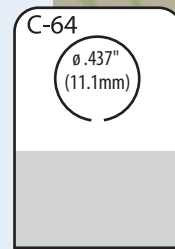
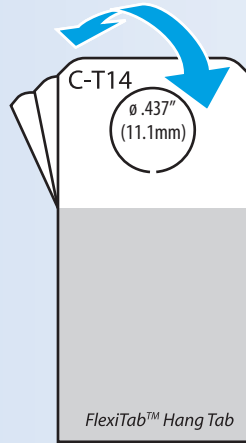
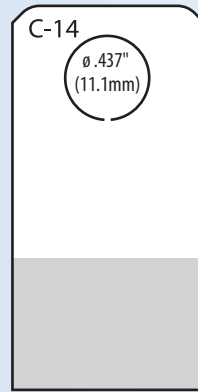


Sheeted | Round Hole Hang Tabs

C-14	Imperial	Metric
Gauge:	7.5 mil	190 μ
Dimensions (W x H):	1 x 2in	25.4 x 50.8mm
Format:	40 / sheet	
Package:	5M box	
Master Carton Quantity:	20M (4 boxes)	
Master Carton Weight:	24lb	10.9kg
Recommended Product Display Weight:	12oz	340g

C-T14	Imperial	Metric
Gauge:	7.5 mil	190 μ
Dimensions (W x H):	1 x 2in	25.4 x 50.8mm
Format:	20 / sheet	
Package:	500/pack 5M/box	
Master Carton Quantity:	20M (4 boxes)	
Master Carton Weight:	17lb	7.7kg
Recommended Product Display Weight:	8oz	226g

C-64	Imperial	Metric
Gauge:	10 mil	254 μ
Dimensions (W x H):	1.25 x .875in	31.8 x 22.2mm
Format:	36 / sheet	
Package:	5M/box	
Master Carton Quantity:	40M (8 boxes)	
Master Carton Weight:	32lb	15kg
Recommended Product Display Weight:	11oz	311g

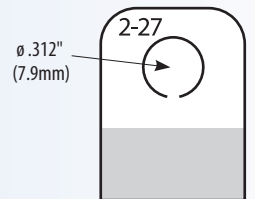
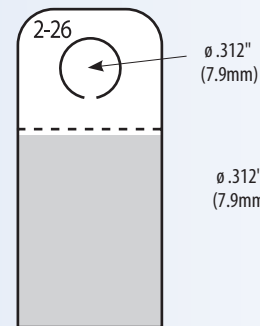
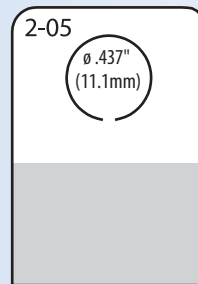


2-05	Imperial	Metric
Gauge:	15 mil	381 μ
Dimensions (W x H):	1 x 1.437in	25.4 x 36.5mm
Format:	loose piece	
Package:	1M bag	
Master Carton Quantity:	5M (5 bags)	
Master Carton Weight:	8lb	3.6kg
Recommended Product Display Weight:	14oz	397g

2-26	Imperial	Metric
Gauge:	15 mil	381 μ
Dimensions (W x H):	.75 x 1.656in	19.1 x 42.1mm
Format:	loose piece	
Package:	5M box	
Master Carton Quantity:	5M (carton)	
Master Carton Weight:	7lb	3.2kg
Recommended Product Display Weight:	14oz	397g



Loose Piece | Round Hole Hang Tabs



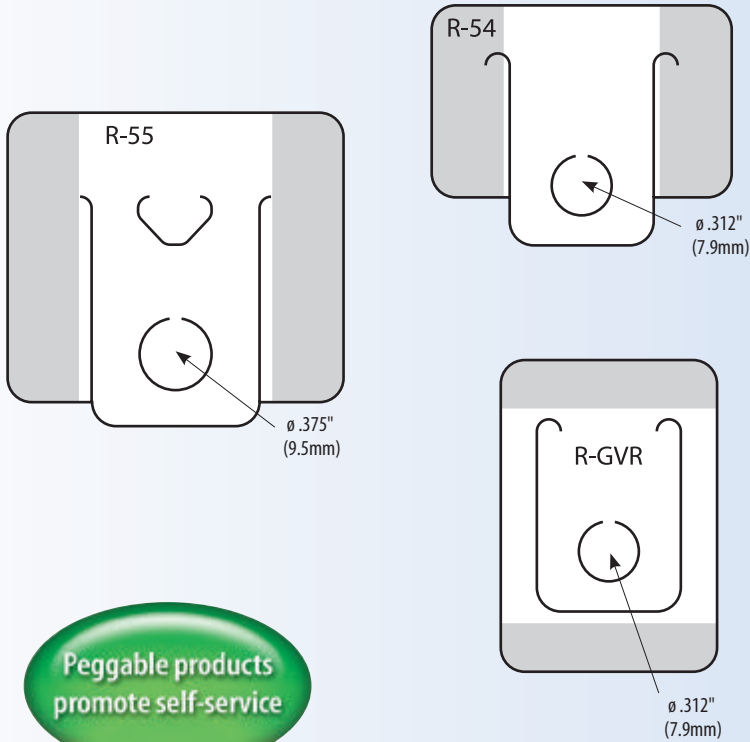
2-27	Imperial	Metric
Gauge:	10 mil	254 μ
Dimensions (W x H):	.75 x 1in	19.1 x 25.4mm
Format:	loose piece	
Package:	5M box	
Master Carton Quantity:	5M (carton)	
Master Carton Weight:	3lb	1.4kg
Recommended Product Display Weight:	6oz	170g

M = 1,000

Round Hole Hang Tabs | Roll Form



Fold-Up



Peggable products
 promote self-service



R-54

	Imperial	Metric
Gauge:	10 mil	254 μ
Dimensions (W x H):	1.562 x 1.25in	39.7 x 31.8mm
Format:	5.5M / roll	
Package:	6 x 15.5in roll	15.2 x 39.4cm
Master Carton Quantity:	22M (4 rolls)	
Master Carton Weight:	34lb	15.5kg
Recommended Product Display Weight:	12oz	340g

R-55

	Imperial	Metric
Gauge:	10 mil	254 μ
Dimensions (W x H):	1.75 x 1.6328in	44.5 x 41.5mm
Format:	4.5M / roll	
Package:	6 x 15.5in roll	15.2 x 39.4cm
Master Carton Quantity:	18M (4 rolls)	
Master Carton Weight:	38lb	17.3kg
Recommended Product Display Weight:	15oz	424g

R-GVR

	Imperial	Metric
Gauge:	10 mil	254 μ
Dimensions (W x H):	1.125 x 1.625in	28.6 x 41.3mm
Format:	5.75M / roll	
Package:	6 x 15.5in roll	15.2 x 39.4cm
Master Carton Quantity:	23M (4 rolls)	
Master Carton Weight:	38lb	17.3kg
Recommended Product Display Weight:	10oz	283g

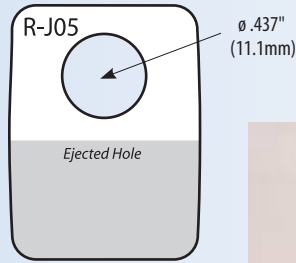
M = 1,000



Roll Form | Ejected Hole Hang Tabs

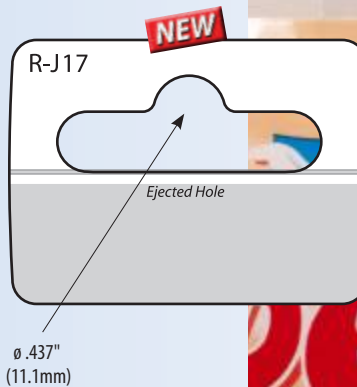
R-J05

	Imperial	Metric
Gauge:	10 mil	254 μ
Dimensions (W x H):	1 x 1.3125in	24.4 x 33.3mm
Format:	7M / roll	
Package:	6 x 15.5in roll	15.2 x 39.4cm
Master Carton Quantity:	35M (5 rolls)	
Master Carton Weight:	30lb	13.6kg
Recommended Product Display Weight:	12oz	340g



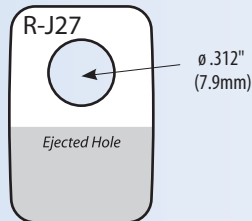
R-J17

	Imperial	Metric
Gauge:	15 mil	381 μ
Dimensions (W x H):	1.875 x 1.375in	47.6 x 34.9mm
Format:	3M / roll	
Package:	6 x 15.5in roll	15.2 x 39.4cm
Master Carton Quantity:	15M (5 rolls)	
Master Carton Weight:	35lb	15.9kg
Recommended Product Display Weight:	18oz	510g



R-J27

	Imperial	Metric
Gauge:	10 mil	254 μ
Dimensions (W x H):	.75 x 1.125in	19.1 x 28.6mm
Format:	9M / roll	
Package:	6 x 15.5in roll	15.2 x 39.4cm
Master Carton Quantity:	45M (5 rolls)	
Master Carton Weight:	29lb	13.2kg
Recommended Product Display Weight:	10oz	283g



M = 1,000



FYI...

TerraPET® – (TPET) is a rigid APET film that has brilliant cosmetic clarity. Thirty (30) percent of this plastic is made from material obtained from the sugar production waste stream. TerraPET does not craze or discolor and it is less brittle than RPET and PETG. It is chemically the same as PET, so it can be recycled under mark/code 1. TerraPET is a material that can help customers meet their sustainable packaging goals.

TerraPET® is a registered trademark of Klöckner Pentaplast.

Heavy Duty Hang Tabs

Heavy Duty Hang Tabs for large packages and irregularly shaped products such as lawn mower blades. Ideal for eliminating bulky clam shell packages.

*“1,000s of styles available.
Millions in stock.”*





Roll Form | Heavy Duty Hang Tabs

R-LHS

	Imperial	Metric
Gauge:	10 mil	254 μ
Dimensions (W x H):	1.562 x 2.75in	39.6 x 69.9mm
Format:	4M / roll	
Package:	6 x 15.5in roll	15.2 x 39.4cm
Master Carton Quantity:	8M (2 rolls)	
Master Carton Weight:	28lb	12.7kg
Recommended Product Display Weight:	30oz	850g

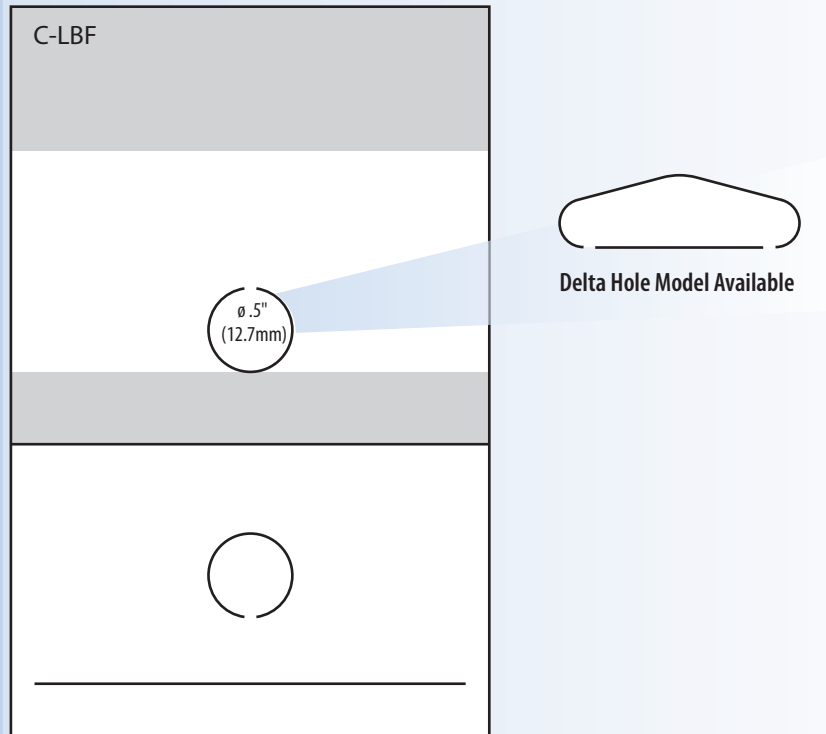
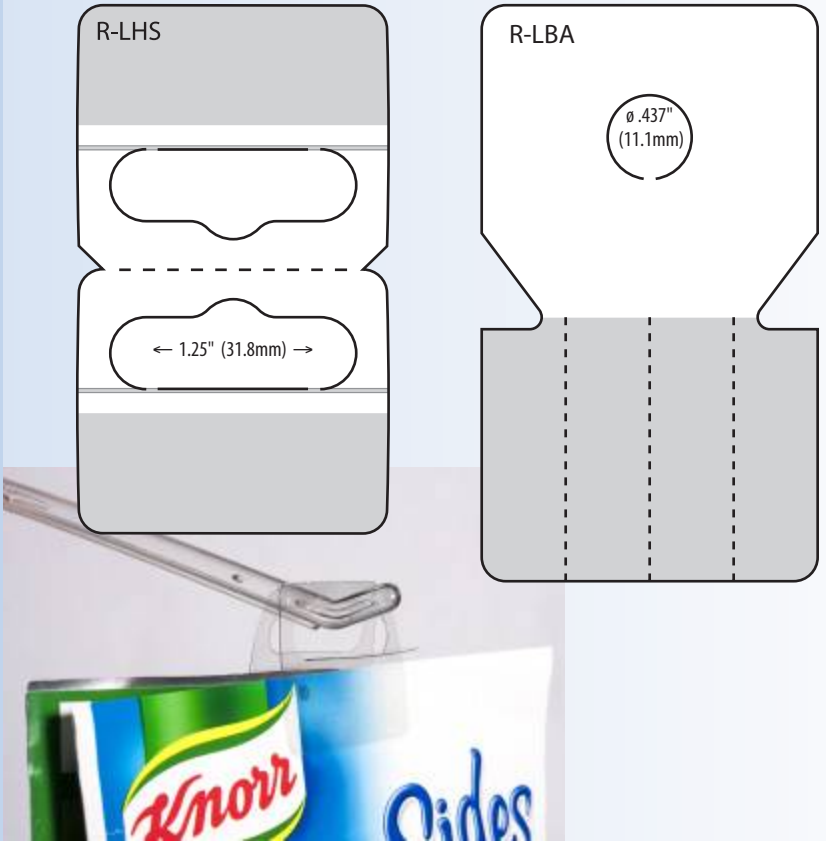
R-LBA

	Imperial	Metric
Gauge:	20 mil	508 μ
Dimensions (W x H):	1.75 x 3in	38.1 x 76.2mm
Format:	2.5M / roll	
Package:	6 x 15.5in roll	15.2 x 39.4cm
Master Carton Quantity:	7.5M (3 rolls)	
Master Carton Weight:	46lb	20.9kg
Recommended Product Display Weight:	36oz	1020g

C-LBF

	Imperial	Metric
Gauge:	15 mil	381 μ
Dimensions (W x H):	5.875 x 4.625in	149.2 x 117.8mm
Format:	2.5M / economy roll	
Package:	6 x 15.5in roll	15.2 x 39.4cm
Master Carton Quantity:	2.5M (1 roll)	
Master Carton Weight:	38lb	17.2kg
Recommended Product Display Weight:	48oz	1360g

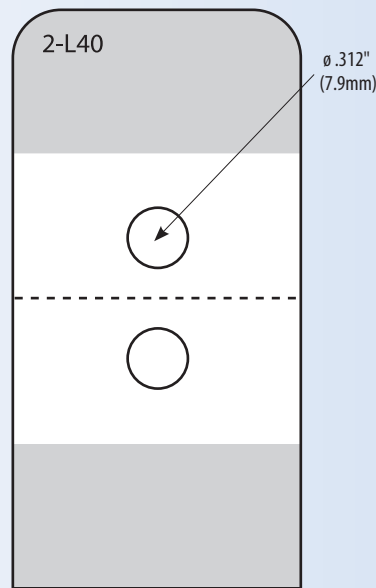
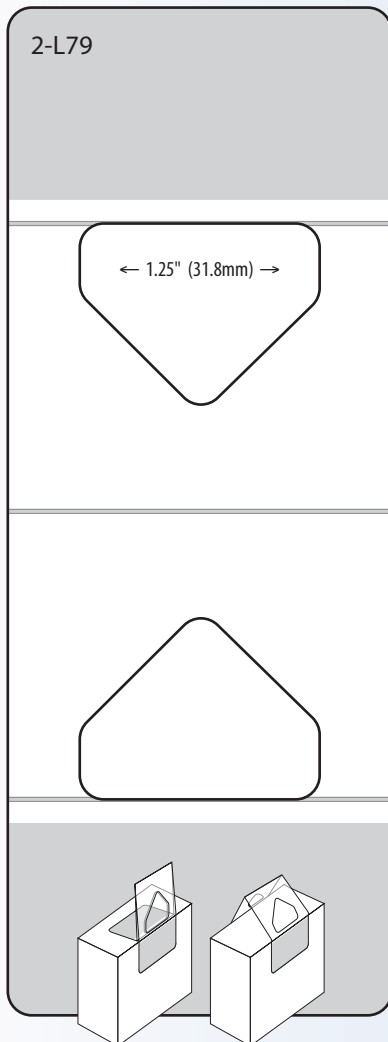
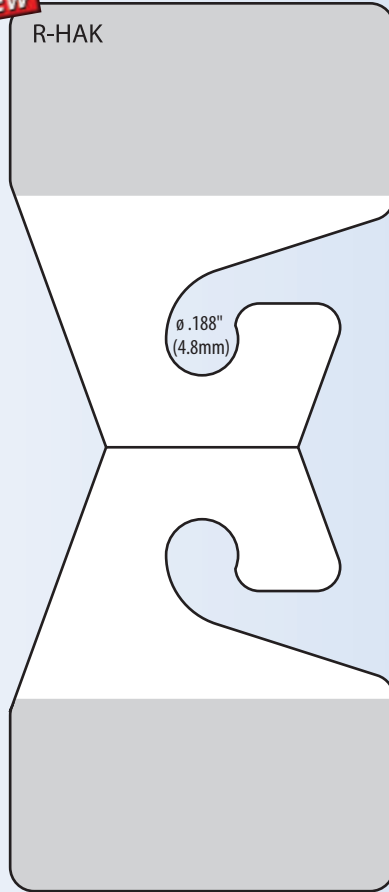
M = 1,000



Heavy Duty Hang Tabs



NEW



Roll

R-HAK

	Imperial	Metric
Gauge:	20 mil	508 μ
Dimensions (W x H):	2 x 4.625in	50.8 x 117.5mm
Format:	2M / roll	
Package:	6 x 15.5in roll	15.2 x 39.4cm
Master Carton Quantity:	4M (2 rolls)	
Master Carton Weight:	32lb	14.5kg
Recommended Product Display Weight:	40oz	1,132g



Loose

2-L79

	Imperial	Metric
Gauge:	15 mil	381 μ
Dimensions (W x H):	2 x 5.25in	50.8 x 133.4mm
Format:	loose piece	
Package:	2.5M carton	
Master Carton Quantity:	2.5M (carton)	
Master Carton Weight:	25lb	11.3kg
Recommended Product Display Weight:	40oz	1,132g

2-L40

	Imperial	Metric
Gauge:	15 mil	381 μ
Dimensions (W x H):	1.5 x 3in	38.1 x 76.2mm
Format:	loose piece	
Package:	500 bag	
Master Carton Quantity:	10M (20 bags)	
Master Carton Weight:	46lb	20.9kg
Recommended Product Display Weight:	30oz	850g

M = 1,000

Do-It Carry Handles

*“Boost sales,
increase brand
awareness.”*

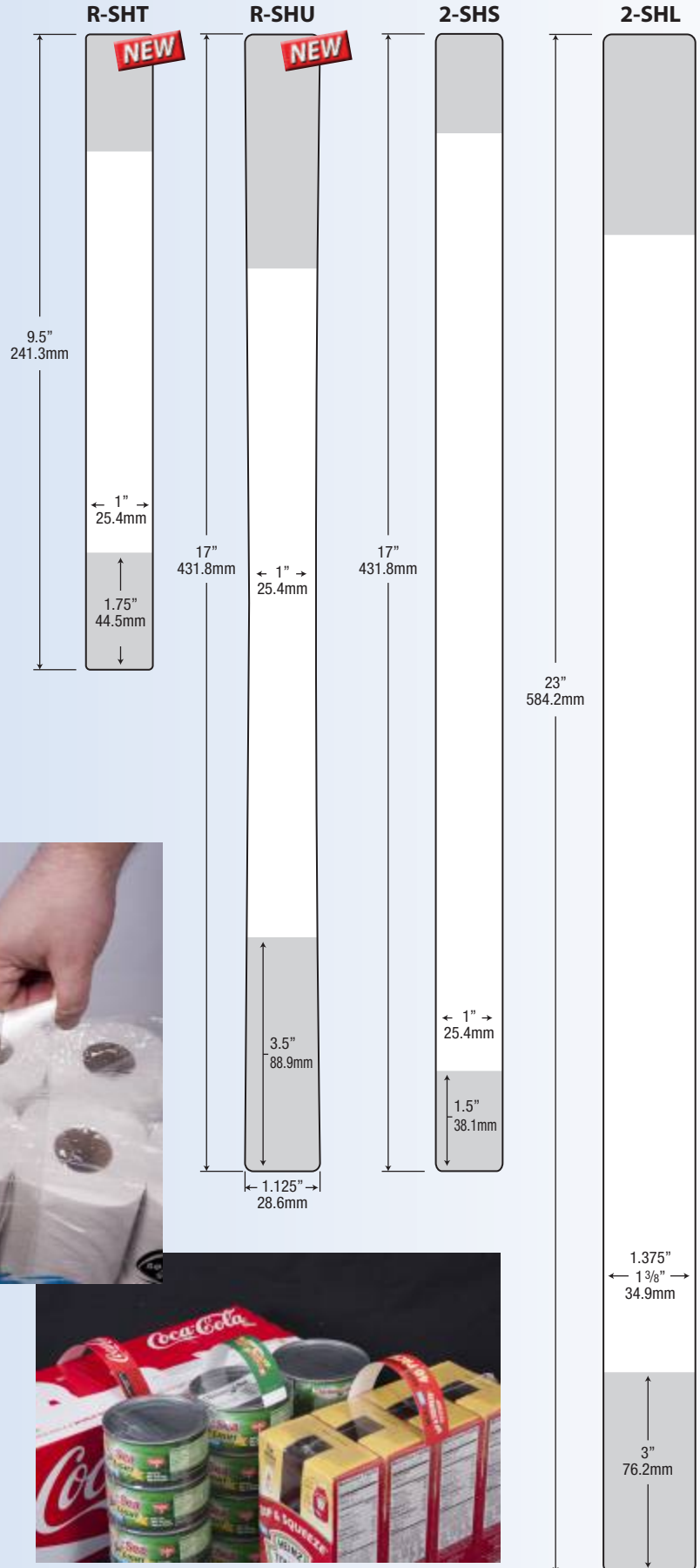




Roll

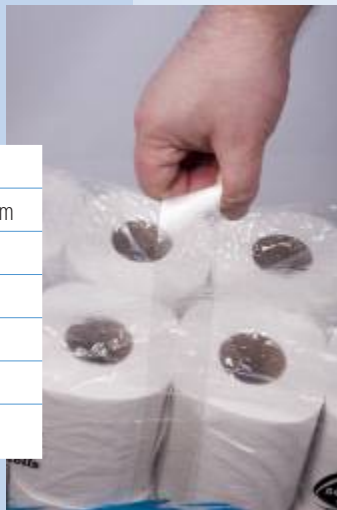
R-SHT	Imperial	Metric
Gauge:	4 mil	102 μ
Dimensions (L x W):	9.5 x 1in	241.3 x 25.4mm
Format:	10M / roll	
Package:	6 x 15.5in roll	15.2 x 39.4cm
Master Carton Quantity:	10M (1 roll)	
Master Carton Weight:	34lb	15.5kg
Recommended Product Carry Weight:	15lb	6.8kg

R-SHU	Imperial	Metric
Gauge:	4 mil	102 μ
Dimensions (L x W):	17 x 1.125in	431.8 x 28.6mm
Format:	5M / roll	
Package:	6 x 12in roll	15.2 x 30.48cm
Master Carton Quantity:	5M (1 roll)	
Master Carton Weight:	39lb	17.7kg
Recommended Product Carry Weight:	25lb	11.3kg



Loose

2-SHS	Imperial	Metric
Gauge:	10 mil	254 μ
Dimensions (L x W):	17 x 1in	431.8 x 25.4mm
Format:	5 per cluster - loose	
Package:	500 box	
Master Carton Quantity:	500 (box)	
Master Carton Weight:	5lb	2.3kg
Recommended Product Carry Weight:	15lb	6.8kg



2-SHL	Imperial	Metric
Gauge:	15 mil	381 μ
Dimensions (L x W):	23 x 1.375in	584.2 x 34.9mm
Format:	5 per cluster - loose	
Package:	500 box	
Master Carton Quantity:	500 (box)	
Master Carton Weight:	15lb	6.8kg
Recommended Product Carry Weight:	30lb	13.6kg



M = 1,000

HANG TABS

DON'T RISK IT ... DO-IT.COM
SAFE MATERIAL CHOICES
RELIABLE PRODUCTS

DISPLAY STRIPS

IN-HOUSE TESTING LAB
1000s OF WAYS TO
HANG YOUR PRODUCT

CARRY HANDLES

WE INVENTED THE HANG TAB
ISO 9001:2008 QUALITY
MANAGEMENT SYSTEM

BOTTLE NECK HANG TABS

ISO 14001:2004
ENVIRONMENTAL
MANAGEMENT SYSTEM

RETAIL SIGNAGE

DON'T RISK IT ... DO-IT.COM
SAFE MATERIAL CHOICES
RELIABLE PRODUCTS

PRINTED HANG TABS

IN-HOUSE TESTING LAB
1000s OF WAYS TO
HANG YOUR PRODUCT

CUSTOM/PRINTED PRODUCTS

WE INVENTED THE HANG TAB
ISO 9001:2008 QUALITY
MANAGEMENT SYSTEM



DO-IT CORPORATION

INTERNET:

www.hangtab.com
www.hangtabcatalog.com
www.do-it.com

E-MAIL:

sales@do-it.com

MAILING ADDRESS:

PO Box 592 South Haven, MI 49090-0592
USA

PHONE:

800-426-4822 / 269-637-1121

FAX:

888-426-4822 / 269-637-7223

